

**350400 to 350499**

# Illustrated Parts List

## Model Series

### 350400 to 350499

#### TYPE NUMBERS

0001 through 0008,  
0010 through 0027,  
0040 through 0048,  
0052 through 0070,  
0075 through 0086,  
0100 through 0115,  
0117 through 0121,  
0123 through 0134,  
0136 through 0139,  
0143 through 0148,  
0150 through 0158,  
0160 through 0169,  
1001 through 1006,  
1009 through 1013,

#### TYPE NUMBERS

1026 through 1029,  
1040 through 1058,  
1064 through 1070,  
1075 through 1096,  
1100 through 1129,  
1131 through 1164,  
1166 through 1186,  
1188 through 1199,  
1200 through 1228,  
1230 through 1257,  
1273 through 1294,  
1365 through 1400.

#### TO FIND

#### THE CORRECT NUMBER OF THE PART YOU NEED: FOLLOW THE INSTRUCTIONS BELOW

- A. Refer to Engine Model, Type and Code Number that is stamped on the blower housing of engine. Engine type numbers such as 0123 01 are listed only as 0123 in most instances. The two digits (01 or 02, etc.) to the right of the space may be required for more accurate parts identification in some instances. Select the Illustrated Parts List covering the correct Model Series and Type Number.
- B. Refer to the Illustrations and compare the original part with Illustration. The number next to the illustration is the Reference Number. Assemblies include all parts shown in frames. All parts shown in assembly frames having individual reference numbers can be purchased separately.
- C. After the Reference Number has been identified, refer to the Numerical text, where Reference and Primary Part Number are listed. **THE PRIMARY PART IS USED ON ALL TYPE NUMBERS EXCEPT THOSE TYPE NUMBERS UNDER "NOTE."**
- D. If a "Note" appears below the Primary Part Number, it means that this part differs from the Primary Part for certain types. If your Type number is listed under "Note," order the part referred to at the "Note."
- E. If your Engine Type Number does not appear after any part number listed under "Note," use the Primary Part Number.
- F. For Engine Type Numbers not covered by this book, check other Parts Lists having the same engine model or contact your source of supply.

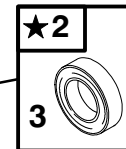
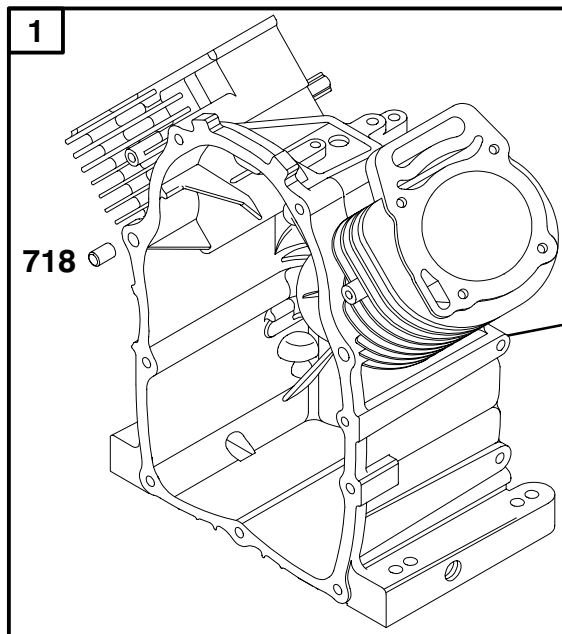
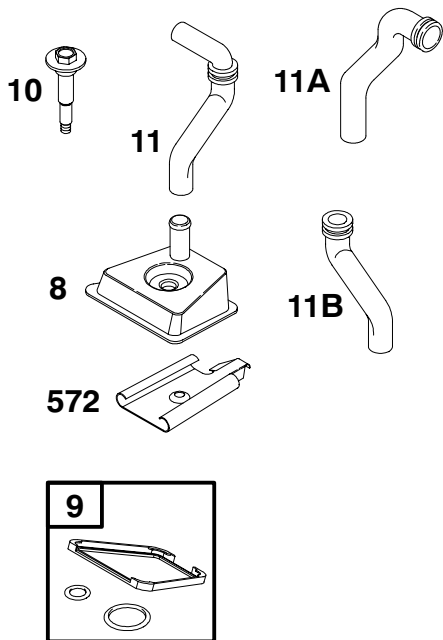
PRINTED IN U.S.A.



COPYRIGHT by BRIGGS & STRATTON CORPORATION  
All rights reserved. No part of this material may be reproduced or transmitted, in any form or by any means, electronic or mechanical, including photocopying, recording or by any information storage and retrieval system, without permission in writing from Briggs & Stratton Corporation.

# 350400 to 350499

89 



15 

**1019 LABEL KIT**

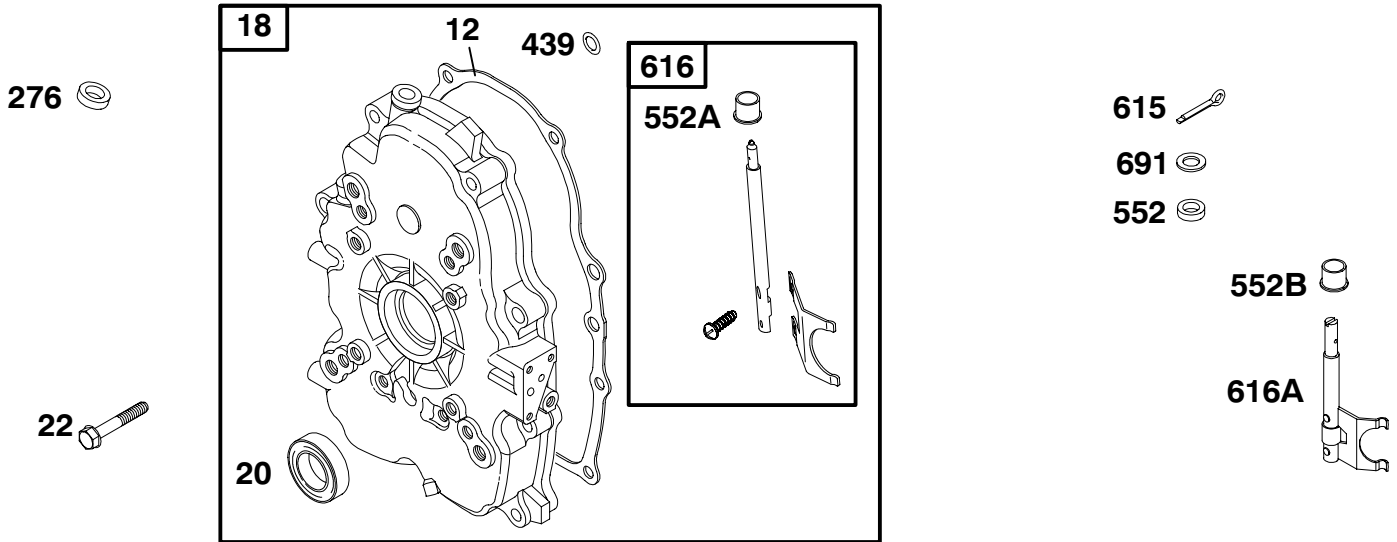
**1058 OWNER'S MANUAL**

**★ REQUIRES SPECIAL TOOLS TO INSTALL. SEE REPAIR INSTRUCTION MANUAL.**

REF. NO.	PART NO.	DESCRIPTION	REF. NO.	PART NO.	DESCRIPTION	REF. NO.	PART NO.	DESCRIPTION
1	692544	Cylinder Assembly (Used After Code Date 97043000). ----- <b>Note</b> ----- 690903 Cylinder Assembly (Used Before Code Date 97050100).	3	★805101	Oil Seal (Magneto Side)	572	690686	Breather Baffle
2	808534	Bushing/Seal Kit (Magneto Side) (Used After Code Date 97043000). ----- <b>Note</b> ----- 807687 Bushing/Seal Kit (Magneto Side) (Used Before Code Date 97050100).	8	807795	Breather Assembly	718	690684	Locating Pin
			9	★807688	Breather Gasket	1019	808036	Label Kit
			10	690751	Screw (Breather Assembly)	1058	274272	Owner's Manual (Emission Engines) ----- <b>Note</b> ----- 272105 Owner's Manual (Non Emission Engines)
			11	806083	Breather Tube			
			11A	691556	Breather Tube			
			11B	805362	Breather Tube			
			15	805048	Oil Drain Plug			
			89	805059	Oil Plug			

★ Included in Engine Gasket Set-Ref. No. 358.  
● Included in Carburetor Overhaul Kit-Ref. 121,121A.

Included in Valve Gasket Set-Ref. No. 1095.

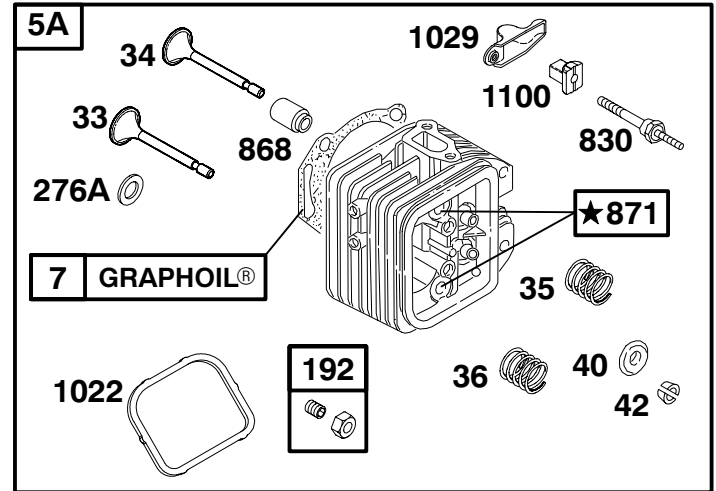
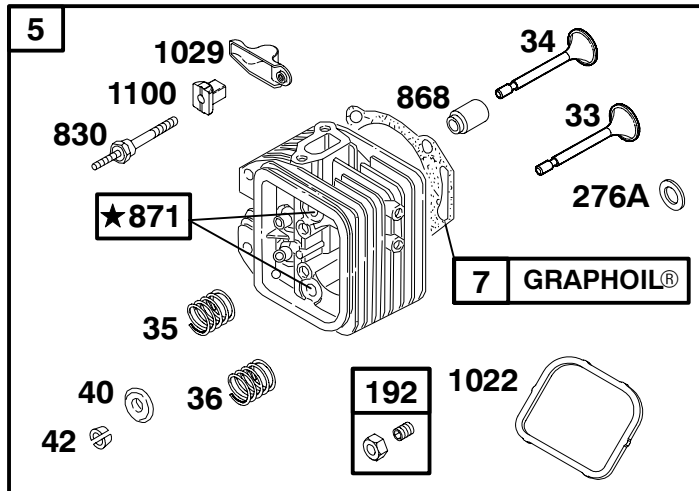
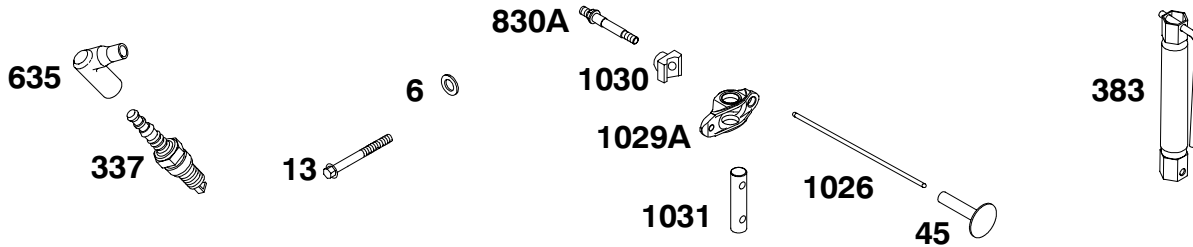


REF. NO.	PART NO.	DESCRIPTION	REF. NO.	PART NO.	DESCRIPTION	REF. NO.	PART NO.	DESCRIPTION
12	★806190	Crankcase Gasket (Used After Code Date 97043000). ----- <b>Note</b> ----- ★805112 Crankcase Gasket (Used Before Code Date 97050100).				552	690701	Governor Crank Bushing
18	808847	Crankcase Cover (Used After Code Date 99072000). ----- <b>Note</b> ----- 808502 Crankcase Cover (Used Before Code Date 99072100).				552A	806686	Governor Crank Bushing (Used After Code Date 99072000).
		808850 Crankcase Cover (Used After Code Date 99072000). Used on Type No(s). 0155, 1155, 1174.			807884 Crankcase Cover (Used Before Code Date 97050100). Used on Type No(s). 0155, 1155, 1174.	552B	690702	Governor Crank Bushing (Used Before Code Date 99072100).
		808506 Crankcase Cover (Used Before Code Date 99072100 and After Code Date 97043000). Used on Type No(s). 0155, 1155, 1174.	20	★805049	Oil Seal (PTO Side)	615	691550	Governor Shaft Retainer
			22	692540	Screw (Crankcase Cover/ Sump)	616	806685	Governor Crank (Used After Code Date 99072000).
			276	690704	Sealing Washer	616A	690899	Governor Crank (Used Before Code Date 99072100).
			439	★692154	O-Ring Seal (Crankcase Cover) (Used After Code Date 97043000). ----- <b>Note</b> ----- ★805198 O-Ring Seal (Crankcase Cover) (Used Before Code Date 97050100).	691	690680	Governor Shaft Seal

★ Included in Engine Gasket Set-Ref. No. 358.  
● Included in Carburetor Overhaul Kit-Ref. 121,121A.

Included in Valve Gasket Set-Ref. No. 1095.

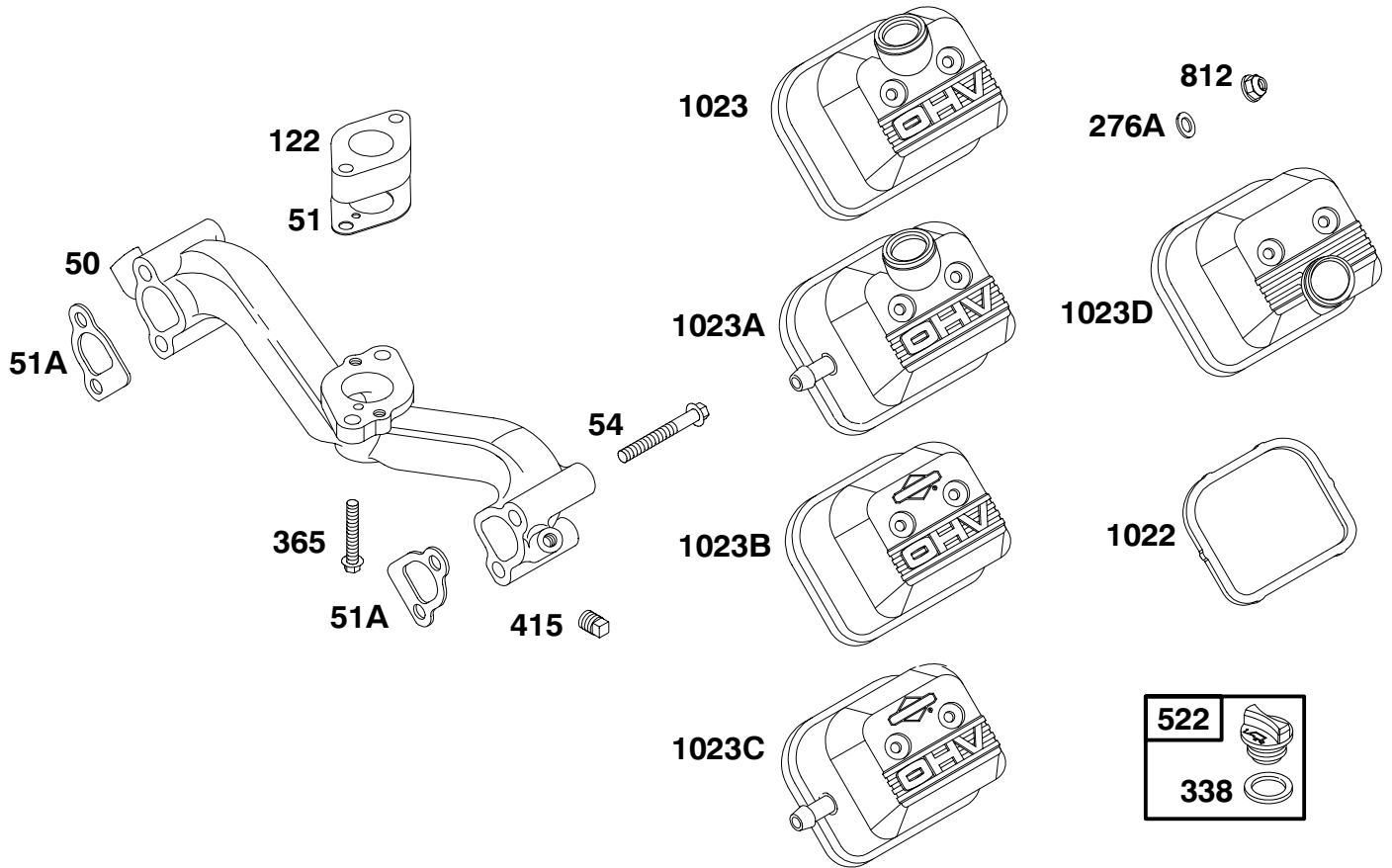
# 350400 to 350499



REF. NO.	PART NO.	DESCRIPTION	REF. NO.	PART NO.	DESCRIPTION	REF. NO.	PART NO.	DESCRIPTION	
5	808383	Cylinder Head (Cylinder 1)	40	805092	Valve Retainer	871	805084	Guide Bushing	
5A	808384	Cylinder Head (Cylinder 2)	42	807683	Valve Keeper	1022	806039	Rocker Cover Gasket	
6	805193	Washer (Cylinder Head) (Used Before Code Date 94050100).	45	262679	Tappet Valve	1026	805352	Push Rod (Steel)	
7	690888	Cylinder Head Gasket (Graphoil )	192	807623	Rocker Arm Adjuster	----- Note -----			
		----- Note -----	276A	805420	Sealing Washer	1029	691543	Rocker Arm (Used After Code Date 96033100).	
		★ 805653 Cylinder Head Gasket (Metal) (Used Before Code Date 96040100).	337	491055	Spark Plug	1029A	808096	Rocker Arm (Used Before Code Date 96040100).	
13	805097	Screw (Cylinder Head)	----- Note -----			1030	691496	Rocker Arm Support (Used Before Code Date 96040100).	
33	807681	Exhaust Valve	496018	805094	Spark Plug	1031	690693	Rocker Arm Shaft (Used Before Code Date 96040100).	
34	807680	Intake Valve	Used on Type No(s). 0010, 0115, 0163, 1010, 1115, 1116, 1163, 1170, 1176,	383	19374	Spark Plug Wrench	1100	690973	Rocker Arm Pivot
35	692084	Valve Spring (Intake)	830	805529	Spark Plug Boot	635	805529	Spark Plug Boot	
36	692084	Valve Spring (Exhaust)	830	691544	Stud (Rocker Arm) (Used After Code Date 96033100).	830	691544	Stud (Rocker Arm) (Used Before Code Date 96040100).	
			830A	691497	Stud (Rocker Arm) (Used Before Code Date 96040100).	868	805094	Valve Seal	

★ Included in Engine Gasket Set-Ref. No. 358.  
 ● Included in Carburetor Overhaul Kit-Ref. 121,121A.

Included in Valve Gasket Set-Ref. No. 1095.

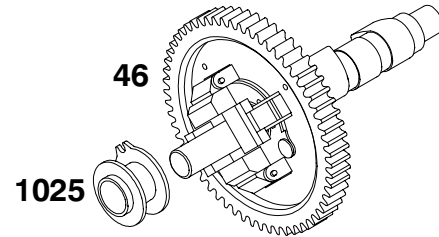
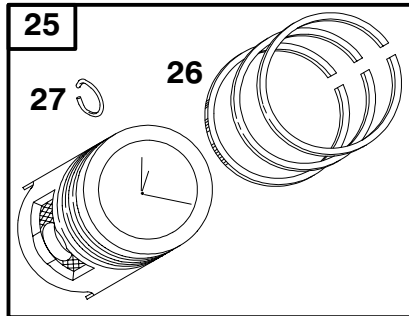
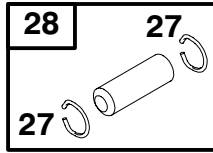
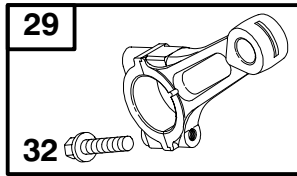


REF. NO.	PART NO.	DESCRIPTION	REF. NO.	PART NO.	DESCRIPTION	REF. NO.	PART NO.	DESCRIPTION
50	690754	Intake Manifold	365	690711	Screw (Carburetor)	1023B	691494	Rocker Arm Cover
		----- Note -----	415	690283	Plug (Intake Manifold)	1023C	691558	Rocker Arm Cover (Used on Cylinder 1, Fuel Pump Applications) (Used Before Code Date 98060100).
		692156 Intake Manifold			Used on Type No(s). 1206.			
51	★805700	Intake Gasket	522	491832	Dipstick/Fill Plug	1023D	691531	Rocker Arm Cover (Used On Engines Equipped With 9 Quart Fuel Tanks)
51A	★ 805023	Intake Gasket	812	805019	Nut (Rocker Arm Cover)			
54	690676	Screw (Intake Manifold)	1022	★ 806039	Rocker Cover Gasket			
122	690747	Carburetor Spacer	1023	690758	Rocker Arm Cover			
276A	★ 805420	Sealing Washer	1023A	690910	Rocker Arm Cover (Used on Cylinder 1, Fuel Pump Applications) (Used After Code Date 98053100).			
338	691312	Washer (Dipstick Gasket)						

★ Included in Engine Gasket Set-Ref. No. 358.  
 ● Included in Carburetor Overhaul Kit-Ref. 121,121A.

Included in Valve Gasket Set-Ref. No. 1095.

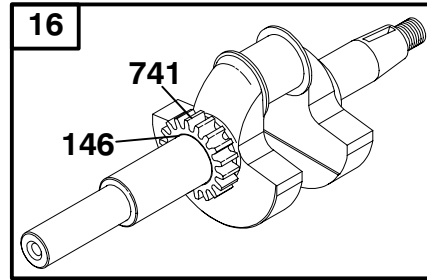
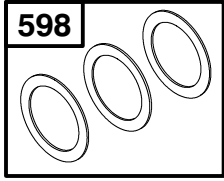
# 350400 to 350499



REF. NO.	PART NO.	DESCRIPTION	REF. NO.	PART NO.	DESCRIPTION	REF. NO.	PART NO.	DESCRIPTION
25	808326	Piston Assembly (Standard)	27	690683	Piston Pin Lock	32	690698	Screw (Connecting Rod)
		----- <b>Note</b> -----	28	807886	Piston Pin	46	691557	Camshaft
		808336 Piston Assy. (.010 Oversize)	29	807900	Connecting Rod (Standard)			----- <b>Note</b> -----
		808337 Piston Assy. (.020 Oversize)			----- <b>Note</b> -----			692157 Camshaft
		808338 Piston Assy. (.030 Oversize)			807803 Connecting Rod (.020 Undersize)			Used on Type No(s). 0081, 0082, 0083, 0151, 0152, 1009, 1012, 1081, 1105, 1151, 1152, 1209, 1222, 1227, 1276, 1277, 1399.
26	807889	Ring Set (Standard)				1025	690689	Governor Spool
		----- <b>Note</b> -----						
		807994 Ring Set (.010 Oversize)						
		807995 Ring Set (.020 Oversize)						
		807996 Ring Set (.030 Oversize)						

★ Included in Engine Gasket Set-Ref. No. 358.  
 ● Included in Carburetor Overhaul Kit-Ref. 121, 121A.

Included in Valve Gasket Set-Ref. No. 1095.

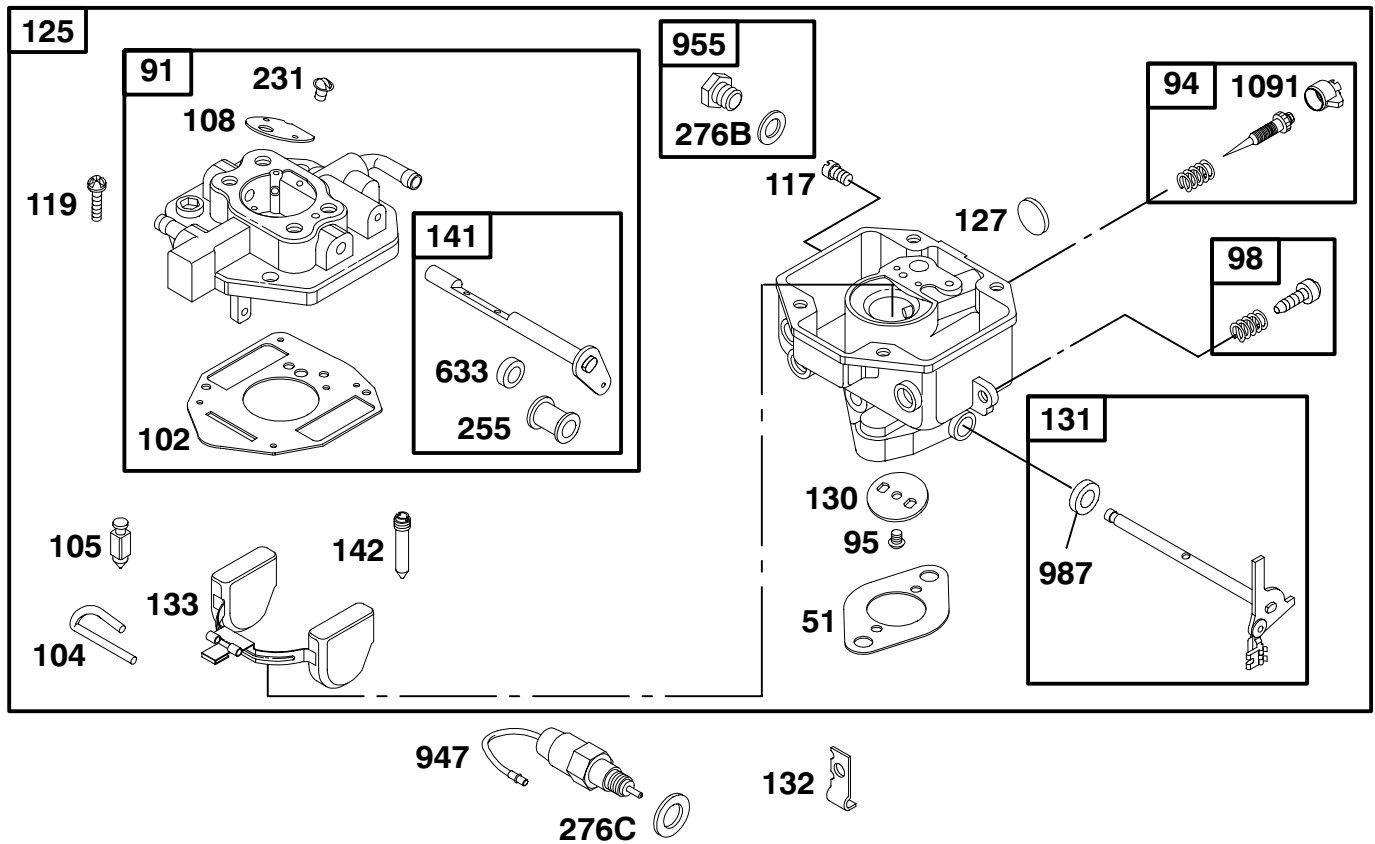


REF. NO.	PART NO.	DESCRIPTION	REF. NO.	PART NO.	DESCRIPTION			
16	692171	<b>Crankshaft</b> (Used After Code Date 97043000). ----- <b>Note</b> ----- <b>807778</b> Crankshaft (Used Before Code Date 97050100). <b>692170</b> Crankshaft (Used After Code Date 97043000). Used on Type No(s). 1077, 1080, 1172, 1276, 1377. <b>807777</b> Crankshaft (Used Before Code Date 97050100). Used on Type No(s). 0077, 0080, 1077, 1080, 1172, 1175. <b>692172</b> Crankshaft (Used After Code Date 97043000). Used on Type No(s). 1113, 1157. <b>807779</b> Crankshaft (Used Before Code Date 97050100). Used on Type No(s). 0113, 0157, 1113, 1157. <b>692173</b> Crankshaft (Used After Code Date 97043000). Used on Type No(s). 1003, 1005, 1011, 1042, 1052, 1078, 1081, 1085, 1105, 1121, 1123, 1125, 1129, 1131, 1132, 1150, 1156, 1160, 1167, 1190, 1194, 1203, 1213, 1222, 1227, 1277, 1284, 1378, 1398, 1399.			<b>807780</b> Crankshaft (Used Before Code Date 97050100). Used on Type No(s). 0003, 0004, 0005, 0006, 0012, 0042, 0052, 0078, 0081, 0082, 0121, 0125, 0129, 0130, 0131, 0132, 0150, 0155, 0160, 0167, 1003, 1004, 1005, 1006, 1011, 1042, 1052, 1078, 1081, 1085, 1121, 1122, 1123, 1125, 1127, 1129, 1131, 1132, 1150, 1156, 1159, 1160, 1167, 1190, 1194, 1203, 1213, 1222, 1227. <b>692175</b> Crankshaft (Used After Code Date 97043000). Used on Type No(s). 1115. <b>808005</b> Crankshaft (Used Before Code Date 97050100). Used on Type No(s). 0115, 1115. <b>692176</b> Crankshaft (Used After Code Date 97043000). Used on Type No(s). 1137, 1138, 1151, 1152, 1162. <b>692177</b> Crankshaft (Used After Code Date 97043000). Used on Type No(s). 1174.			<b>808236</b> Crankshaft (Used Before Code Date 97050100). Used on Type No(s). 1174. <b>808236</b> Crankshaft (Used After Code Date 94082400). Used on Type No(s). 0155, 1155. <b>692089</b> Crankshaft Used on Type No(s). 1116. <b>691139</b> Crankshaft Used on Type No(s). 1087.  <b>17</b> <b>690752</b> Ball Bearing <b>146</b> <b>94196</b> Timing Key <b>357</b> <b>91540</b> Drive Pulley Key <b>377</b> <b>806066</b> Woodruff Key (Used Before Code Date 95030100). <b>598</b> <b>807625</b> End Play Shim (Crankshaft) <b>741</b> <b>691530</b> Timing Gear (Used After Code Date 97043000). ----- <b>Note</b> ----- <b>805675</b> Timing Gear (Used Before Code Date 97050100). <b>1133</b> <b>690342</b> Screw (Crankshaft)

★ Included in Engine Gasket Set-Ref. No. 358.  
 ● Included in Carburetor Overhaul Kit-Ref. 121,121A.

Included in Valve Gasket Set-Ref. No. 1095.

# 350400 to 350499

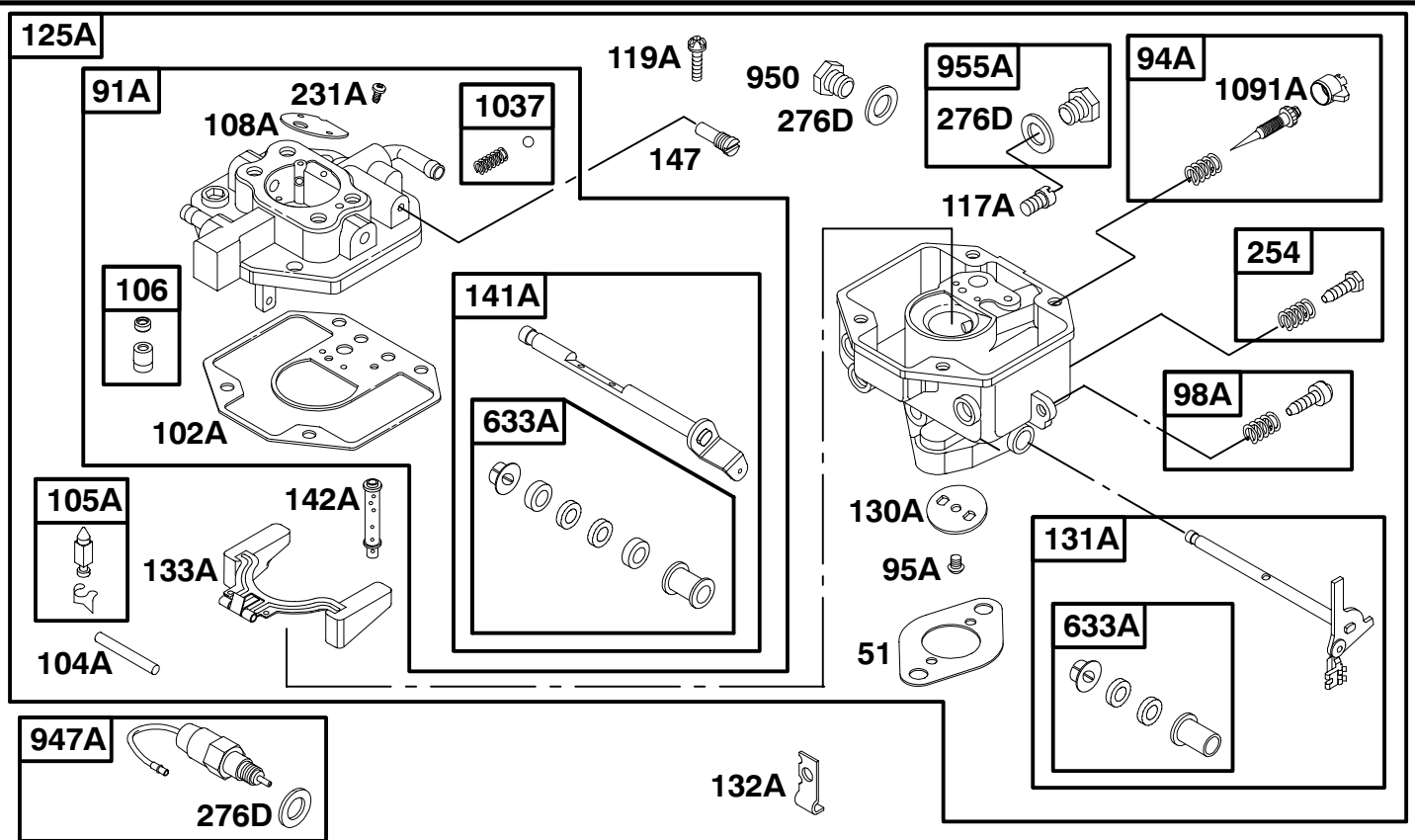


REF. NO.	PART NO.	DESCRIPTION	REF. NO.	PART NO.	DESCRIPTION	REF. NO.	PART NO.	DESCRIPTION
51	★805700	Intake Gasket	117	●806126	Main Jet (Standard)	131	808397	Throttle Shaft Kit
91	808396	Upper Carburetor Body			----- <b>Note</b> -----	132	692155	Throttle Stop
94	●808399	Idle Mixture Kit			808413 Main Jet (High Altitude)			Used on Type No(s). 1145.
95	●690718	Screw (Throttle Valve)	119	690720	Screw (Upper To Lower Carburetor Body)	133	691510	Carburetor Float
98	808177	Idle Speed Kit	125	808370	Carburetor (Pump Feed)	141	808398	Choke Shaft Kit
102	●805541	Carburetor Body Gasket			----- <b>Note</b> -----	142	●806128	Carburetor Nozzle
104	●690723	Float Hinge Pin			808371 Carburetor (Gravity Feed)	231	●690718	Screw (Choke Valve)
105	●805547	Float Needle Valve			(Used After Code Date 95073100).	255	●690721	Choke Shaft Bushing
108	806134	Choke Valve	127	●690727	Welch Plug	276B	●690724	Sealing Washer
			130	806132	Throttle Valve	276C	●806137	Sealing Washer
						633	●690722	Choke Shaft Seal
						947	807664	Fuel Solenoid
						955	807723	Carburetor Plug
						987	●806131	Throttle Shaft Seal
						1091	●691516	Limiter Cap

★ Included in Engine Gasket Set-Ref. No. 358.  
 ● Included in Carburetor Overhaul Kit-Ref. 121,121A.

Included in Valve Gasket Set-Ref. No. 1095.



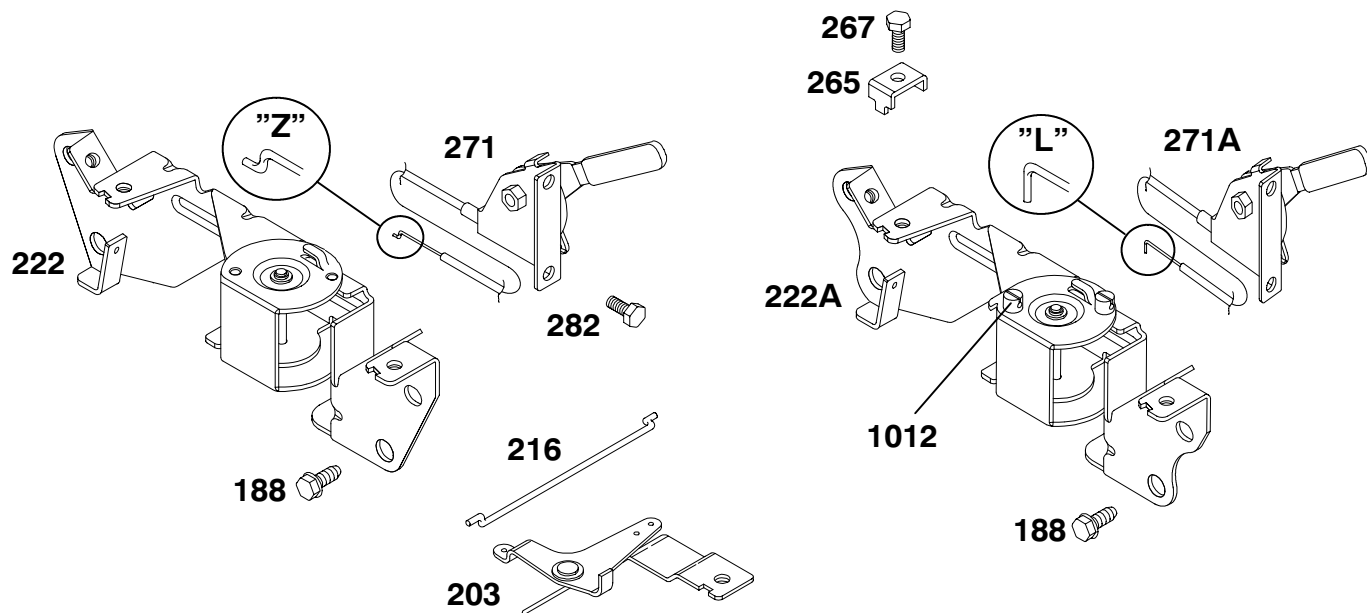


REF. NO.	PART NO.	DESCRIPTION	REF. NO.	PART NO.	DESCRIPTION	REF. NO.	PART NO.	DESCRIPTION
51	★805700	Intake Gasket			0002, 0004, 0006, 0008, 0027, 0040, 0048, 0055, 0058, 0068, 0070, 0076, 0120, 0123, 0125, 0137, 0138.			<b>808084</b> Carburetor (Gravity Feed) (Used Before Code Date 95010100).
91A	807929	Upper Carburetor Body				130A	224533	Throttle Valve
94A	●808259	Idle Mixture Kit (Used After Code Date 94123100). ----- <b>Note</b> ----- 494923 Idle Mix. Kit (Used Before Code Date 95010100).				131A	807924	Throttle Shaft Kit
95A	●94635	Screw (Throttle Valve)				132A	690863	Throttle Stop
98A	807923	Idle Speed Kit				133A	494320	Carburetor Float
102A	●272460	Carburetor Body Gasket				141A	807928	Choke Shaft Kit
104A	●231784	Float Hinge Pin				142A	231782	Carburetor Nozzle
105A	●807925	Float Needle Valve				147	●231783	Pilot Jet
106	●	Inlet Seat (Sold In Kit Only)	119A	94634	Screw (Upper To Lower Carburetor Body)	231A	●94457	Screw (Choke Valve)
108A	224535	Choke Valve				254	807921	Carburetor Bowl Drain
117A	●231660	Main Jet (Standard) ----- <b>Note</b> ----- ●231829 Main Jet (Standard) Used on Type No(s).	125A	808256	Carburetor (Gravity Feed) (Used After Code Date 94123100 and Before Code Date 95080100). ----- <b>Note</b> -----	276D	●692343	Sealing Washer
						633A	●808022	Choke Shaft Seal
						947A	807922	Fuel Solenoid
						950	94460	Float Bowl Screw
						955A	807927	Carburetor Plug
						1037	●807915	Choke Locator Ball
						1091A	●806054	Limiter Cap

★ Included in Engine Gasket Set-Ref. No. 358.  
● Included in Carburetor Overhaul Kit-Ref. 121,121A.

Included in Valve Gasket Set-Ref. No. 1095.

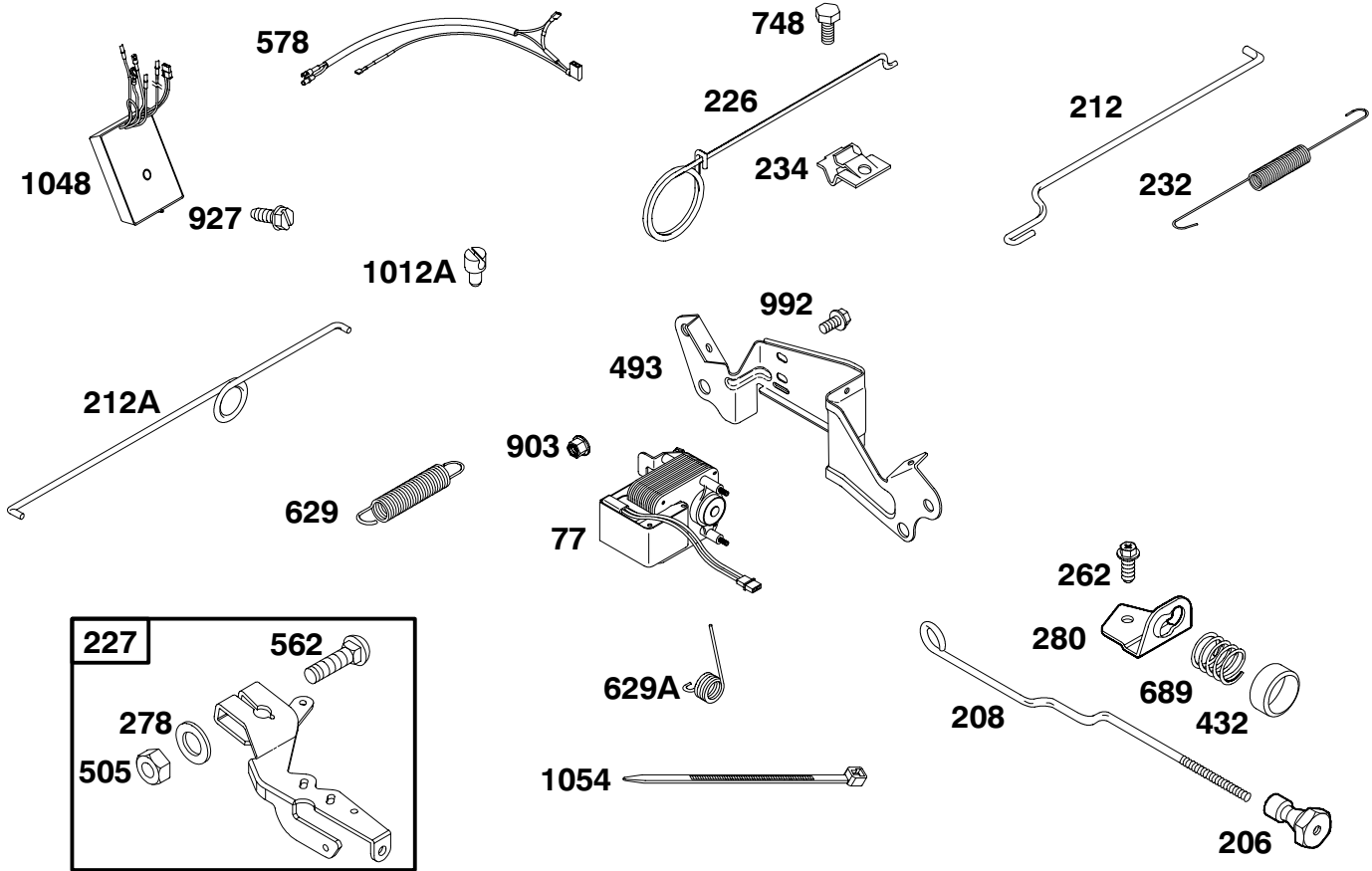
# 350400 to 350499



REF. NO.	PART NO.	DESCRIPTION	REF. NO.	PART NO.	DESCRIPTION	REF. NO.	PART NO.	DESCRIPTION
188	805025	Screw (14mm Long, Control Bracket)	222	808454	Control Bracket (Used With Control Lever and/or Wire With a "Z" Formed End)	265	221535	Casing Clamp
		----- <b>Note</b> -----			----- <b>Note</b> -----	267	805762	Screw (Casing Clamp)
		805247 Screw (18mm Long, Control Bracket)			807610 Control Bracket (Used With Control Lever and/or Wire With a "Z" Formed End) (Used Before Code Date 94120100).	271	692541	Control Lever (Cable Wire With a "Z" Formed End)
203	690923	Bell Crank	222A	690918	Control Bracket (Used With Control Lever and/or Wire With a "L" Formed End)	271A	808118	Control Lever (Cable Wire With a "L" Formed End)
216	690705	Choke Link				282	805762	Screw (Control Lever)
						1012	691521	Link Retainer

★ Included in Engine Gasket Set-Ref. No. 358.  
● Included in Carburetor Overhaul Kit-Ref. 121,121A.

Included in Valve Gasket Set-Ref. No. 1095.



REF. NO.	PART NO.	DESCRIPTION	REF. NO.	PART NO.	DESCRIPTION	REF. NO.	PART NO.	DESCRIPTION
77	690819	Servo Motor	227	690236	Governor Control Lever	629A	806716	Friction Spring
206	691244	Governor Adjusting Nut (Used After Code Date 96033100).	232	805465	Governor Link Spring	689	691272	Friction Spring
208	691549	Governor Control Rod (Used After Code Date 96033100).	234	221372	Control Rod Clip	748	805762	Screw (Control Rod Clip)
		----- <b>Note</b> -----	262	805762	Screw (Rod Bracket)	903	691115	Nut (Servo Motor)
		808453 Governor Control Rod (Used After Code Date 94113000 and Before Code Date 96040100).	278	690237	Washer (Governor Control Lever)	927	691116	Screw (Electronic Governor Module)
		805471 Governor Control Rod (Used Before Code Date 94120100).	280	691526	Rod Bracket	992	690932	Screw (Servo Motor)
212	690712	Throttle Link	432	691509	Spring Cap	1012A	690592	Link Retainer
212A	691519	Throttle Link	493	691518	Mounting Bracket	1048	690669	Electronic Governor Module
226	805509	Hand Choke Rod	505	690238	Nut (Governor Control Lever)			----- <b>Note</b> -----
			562	690239	Bolt (Governor Control Lever)			690815 Electronic Governor Module Used on Type No(s). 0081, 0082, 0083.
			578	691377	Wire Assembly	1054	280275	Cable Tie
			629	806717	Friction Spring			

★ Included in Engine Gasket Set-Ref. No. 358.  
● Included in Carburetor Overhaul Kit-Ref. 121,121A.

Included in Valve Gasket Set-Ref. No. 1095.

# 350400 to 350499

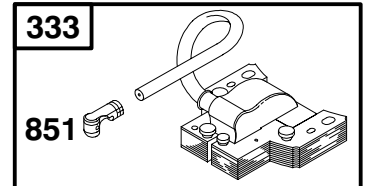
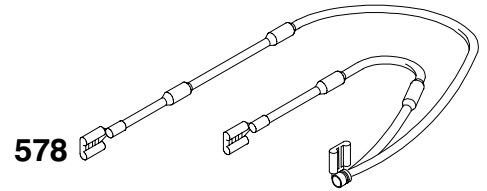
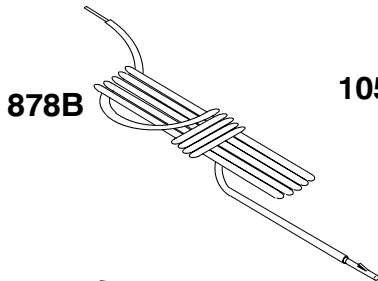
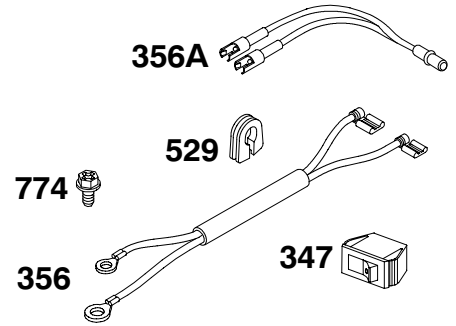
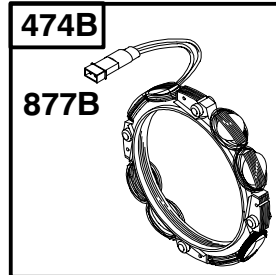
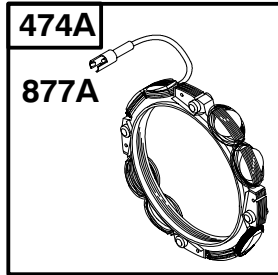
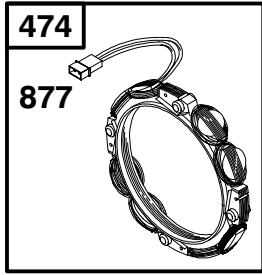


REF. NO.	PART NO.	DESCRIPTION	REF. NO.	PART NO.	DESCRIPTION	REF. NO.	PART NO.	DESCRIPTION		
<b>209</b>	<b>805460</b>	Governor Spring (Main) ----- <b>Note</b> ----- <b>691506</b> Governor Spring (Main) Used on Type No(s). 0042, 0052, 0078, 0160, 1011, 1042, 1052, 1078, 1160, 1284, 1378, 1398. <b>690709</b> Governor Spring (Main) Used on Type No(s). 0003, 0004, 0005, 0006, 0012, 0121, 0125, 0129, 0130, 0131, 0132, 0150, 0155, 0167, 1003, 1004, 1005, 1006, 1085, 1121, 1122, 1123, 1125, 1127, 1129, 1131, 1132, 1150, 1155, 1156, 1159, 1167, 1174, 1190, 1194, 1203, 1213. <b>691507</b> Governor Spring (Main) Used on Type No(s). 0026, 1026, 1029. <b>690710</b> Governor Spring (Main) Used on Type No(s). 0124, 0133, 1133, 1170, 1176, 1189, 1251, 1294.			<b>805462</b> Governor Spring (Main) Used on Type No(s). 0064, 0084, 0169, 1028, 1064, 1084, 1108, 1145, 1173, 1273, 1279, 1280, 1397. <b>691508</b> Governor Spring (Main) Used on Type No(s). 0115, 0158, 1115, 1116, 1158, 1169, 1198, 1204, 1224, 1225, 1253, 1274, 1275. <b>805464</b> Governor Spring (Main) Used on Type No(s). 1246, 1256. <b>690716</b> Governor Spring (Main) Used on Type No(s). 0027, 0048, 0080, 0086, 0113, 0153, 0157, 1027, 1080, 1086, 1113, 1153, 1157, 1230, 1241. <b>805630</b> Governor Spring (Main) Used on Type No(s). 0137, 0138, 0162, 1137, 1138, 1162. <b>806507</b> Governor Spring (Main) Used on Type No(s). 1282.			<b>211</b>	<b>805453</b>	Governed Idle Spring ----- <b>Note</b> ----- <b>805450</b> Governed Idle Spring Used on Type No(s). 0042, 0052, 0078, 0137, 0138, 0160, 0162, 1011, 1042, 1052, 1078, 1116, 1137, 1138, 1160, 1162, 1284, 1378, 1398, 1401. <b>690707</b> Governed Idle Spring Used on Type No(s). 0003, 0004, 0005, 0006, 0012, 0121, 0125, 0129, 0130, 0131, 0132, 0150, 0155, 0167, 1003, 1004, 1005, 1006, 1085, 1121, 1122, 1123, 1125, 1127, 1129, 1131, 1132, 1150, 1155, 1156, 1159, 1167, 1174, 1190, 1194, 1203, 1213. <b>691505</b> Governed Idle Spring Used on Type No(s). 0026, 0086, 1026, 1029, 1086, 1108, 1241. <b>691553</b> Governed Idle Spring Used on Type No(s). 1169, 1173, 1224, 1225, 1273, 1274, 1282, 1294.
						<b>629</b>	<b>806060</b>	Governor Spring Used on Type No(s). 0081, 0082, 0083, 1009, 1012, 1081, 1105, 1222, 1227, 1276, 1277.		

★ Included in Engine Gasket Set-Ref. No. 358.

● Included in Carburetor Overhaul Kit-Ref. 121, 121A.

Included in Valve Gasket Set-Ref. No. 1095.

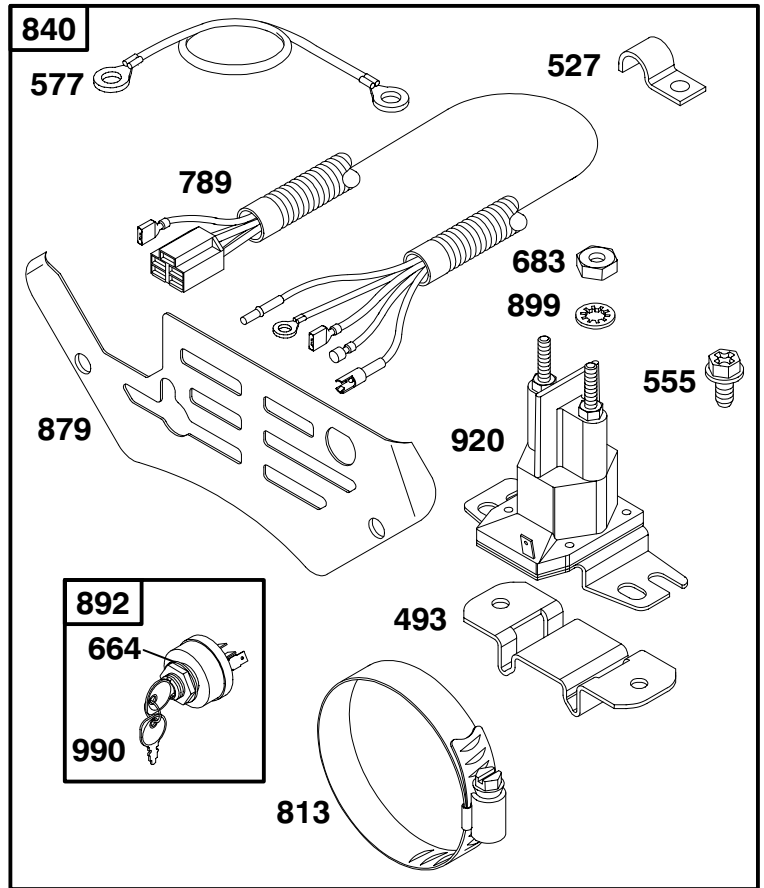
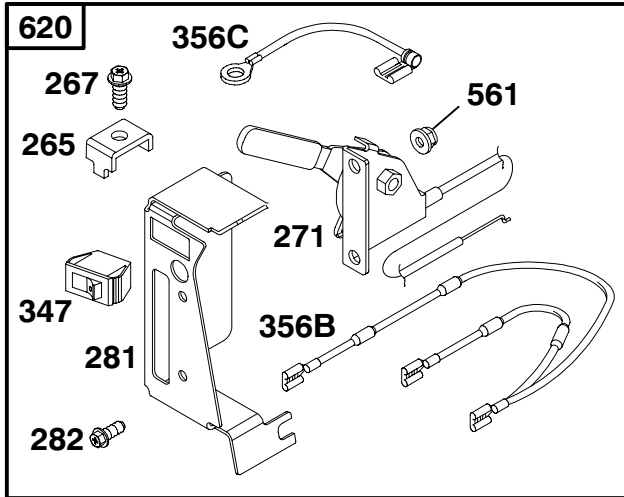
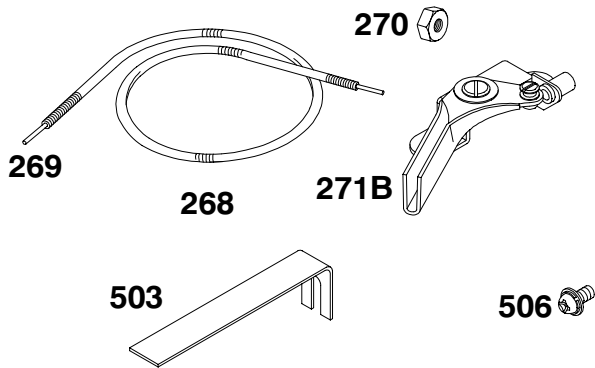


REF. NO.	PART NO.	DESCRIPTION	REF. NO.	PART NO.	DESCRIPTION	REF. NO.	PART NO.	DESCRIPTION
333	492341	Magneto Armature	501	394890	Regulator	851	493880	Spark Plug Terminal
334	805407	Screw (Magneto Armature)	501A	491546	Regulator Used on Type No(s). 1121.	877	399916	Alternator Connector/ Wire
347	493521	Rocker Switch	501B	691573	Regulator Used on Type No(s). 1009, 1012, 1028, 1029, 1057, 1108, 1241.	877A	393537	Alternator Connector/ Wire
356	690809	Stop Wire	526	805448	Screw (Regulator)	877B	393456	Alternator Connector/ Wire
356A	692961	Stop Wire	526A	690717	Screw (Regulator)	878	393362	Alternator Harness Used on Type No(s). 1277.
474	393295	Alternator	526B	691547	Screw (Regulator)	878A	393422	Alternator Harness Used on Type No(s). 1121, 1154, 1290, 1397.
----- Note -----			529	690744	Grommet	878B	691362	Alternator Harness
474A	392595	Alternator Used on Type No(s). 1121.	578	493792	Wire Assembly	1054	280275	Cable Tie
474B	393474	Alternator Used on Type No(s). 1277, 1399.	729B	690586	Wire Clip	1119	691552	Screw (Alternator)
			774	805448	Screw (Stop Wire)			

★ Included in Engine Gasket Set-Ref. No. 358.  
● Included in Carburetor Overhaul Kit-Ref. 121,121A.

Included in Valve Gasket Set-Ref. No. 1095.

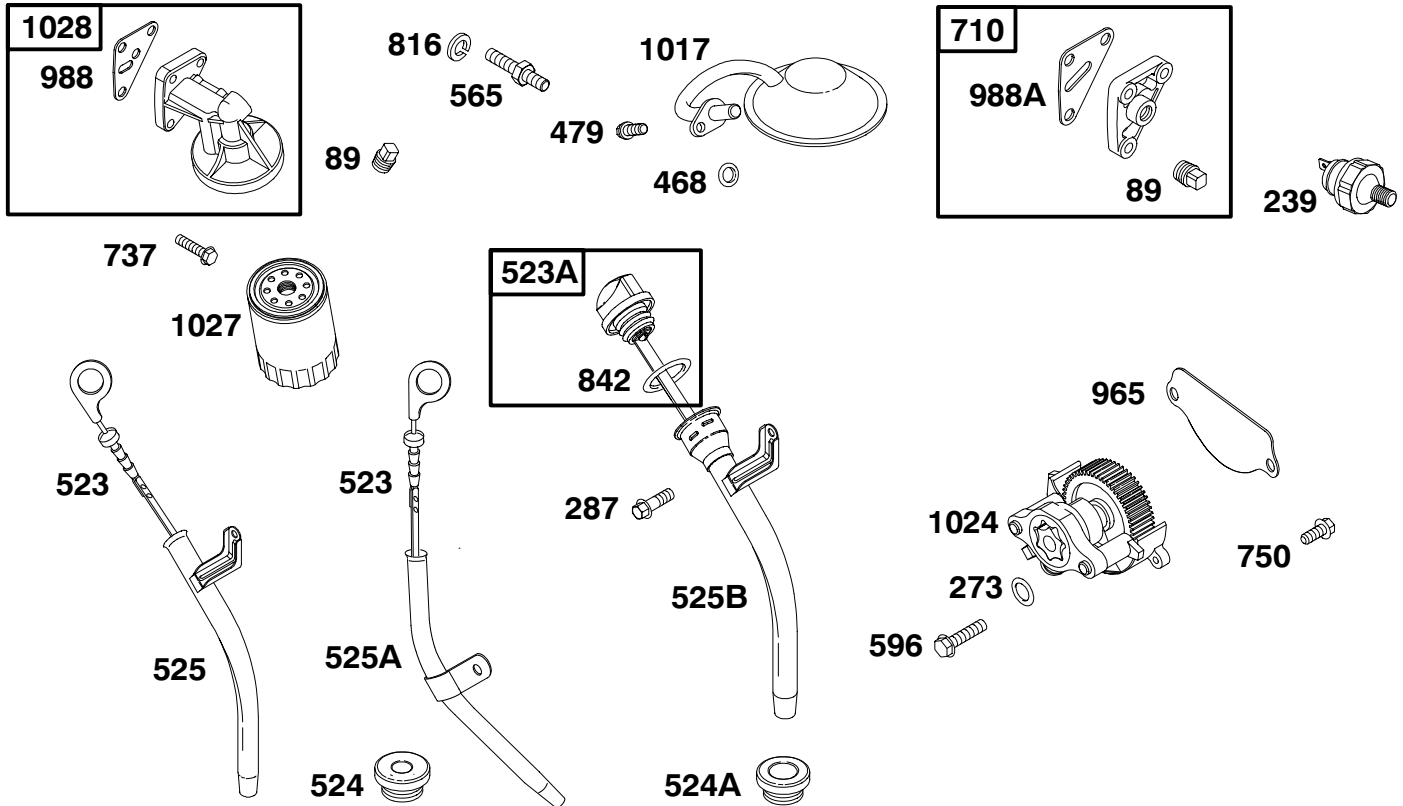
# 350400 to 350499



REF. NO.	PART NO.	DESCRIPTION	REF. NO.	PART NO.	DESCRIPTION	REF. NO.	PART NO.	DESCRIPTION
265	221535	Casing Clamp	282	805762	Screw (Control Lever)	683	92278	Nut (Starter Solenoid)
267	805762	Screw (Casing Clamp)	347	493521	Rocker Switch	789	493624	Wiring Harness
268	65616	Control Wire Casing (Cut to Required Length)	356B	493864	Stop Wire	----- <b>Note</b> -----		
269	26633	Control Wire (Cut to Required Length)	356C	690796	Stop Wire	691578 Wiring Harness		
270	63426	Nut (Control Wire Casing)	493	691177	Mounting Bracket	Used on Type No(s). 1009, 1012, 1057, 1241, 1276.		
271	692541	Control Lever (Cable Wire With a "Z" Formed End)	503	691532	Starter Strap	813	690635	Clamp
271B	290568	Control Lever	506	690677	Screw (Carburetor Cover)	840	807817	Panel Kit
281	690742	Control Panel	527	690423	Tube Clamp	879	690757	Carburetor Cover
			555	805448	Screw (Starter Solenoid)	892	493625	Key Switch
			561	690713	Nut (Control Lever)	899	691077	Washer Starter (Starter Solenoid)
			577	690795	Starter Cable	920	807829	Solenoid Starter
			620	494052	Speed Control Panel	990	392832	Key Set
			664	691087	Nut (Key Switch)			

★ Included in Engine Gasket Set-Ref. No. 358.  
● Included in Carburetor Overhaul Kit-Ref. 121,121A.

Included in Valve Gasket Set-Ref. No. 1095.



REF. NO.	PART NO.	DESCRIPTION	REF. NO.	PART NO.	DESCRIPTION	REF. NO.	PART NO.	DESCRIPTION
89	690283	Oil Plug	525A	693173	Dipstick Tube (Used After Code Date 98053100). Used on Type No(s). 1105, 1139, 1206.	842	805386	Dipstick/Tube Seal
239	690233	Oil Pressure Switch				965	690745	Oil Pump Cover
273	★690681	O-Ring Seal (Oil Pump)	525B	690897	Dipstick Tube (Used Before Code Date 98060100). ----- Note ----- 690907 Dipstick Tube (Used Before Code Date 98060100). Used on Type No(s). 0115, 0124, 0139, 1105, 1115, 1139, 1206.	988	★805250	Oil Adapter Gasket
287	805247	Screw (Dipstick Tube)				988A	690687	Oil Adapter Gasket (Used With Ref. 710 Only)
468	★690690	O-Ring Seal (Oil Pump Screen)				1017	690900	Oil Pump Screen
479	692537	Screw (Oil Pump Screen)				1024	693185	Oil Pump
523	693175	Dipstick (Used After Code Date 98053100).				1027	492932	Oil Filter (2 1/4" Long) (Used After Code Date 95020500). ----- Note -----
523A	807977	Dipstick (Used Before Code Date 98060100).						491056 Oil Filter (3 1/4" Long) (Used Before Code Date 95020600).
524	★693172	Dipstick Tube Seal (Used After Code Date 98053100).	565	690682	Stud (Oil Filter Adapter)			492932 Oil Filter (2 1/4" Long) Used on Type No(s). 0166, 1166.
524A	★281370	Dipstick Tube Seal (Used Before Code Date 98060100).	596	691492	Screw (Oil Pump)			
525	693174	Dipstick Tube (Used After Code Date 98053100).	710	807689	Oil Filter Cover	1028	808235	Oil Filter Adapter ----- Note -----
			737	690679	Screw (Oil Filter Adapter)			808033 Oil Filter Adapter (For Horizontal Mounted Oil Filter)
			750	692539	Screw (Oil Pump Cover)			
			816	690706	Washer (Oil Filter Adapter)			

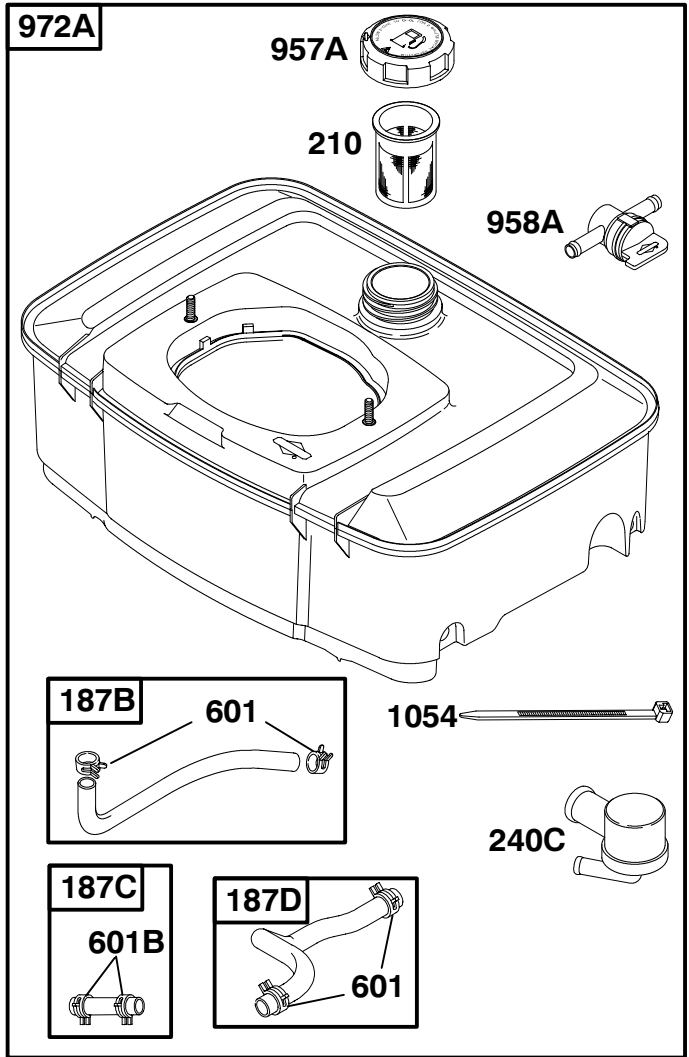
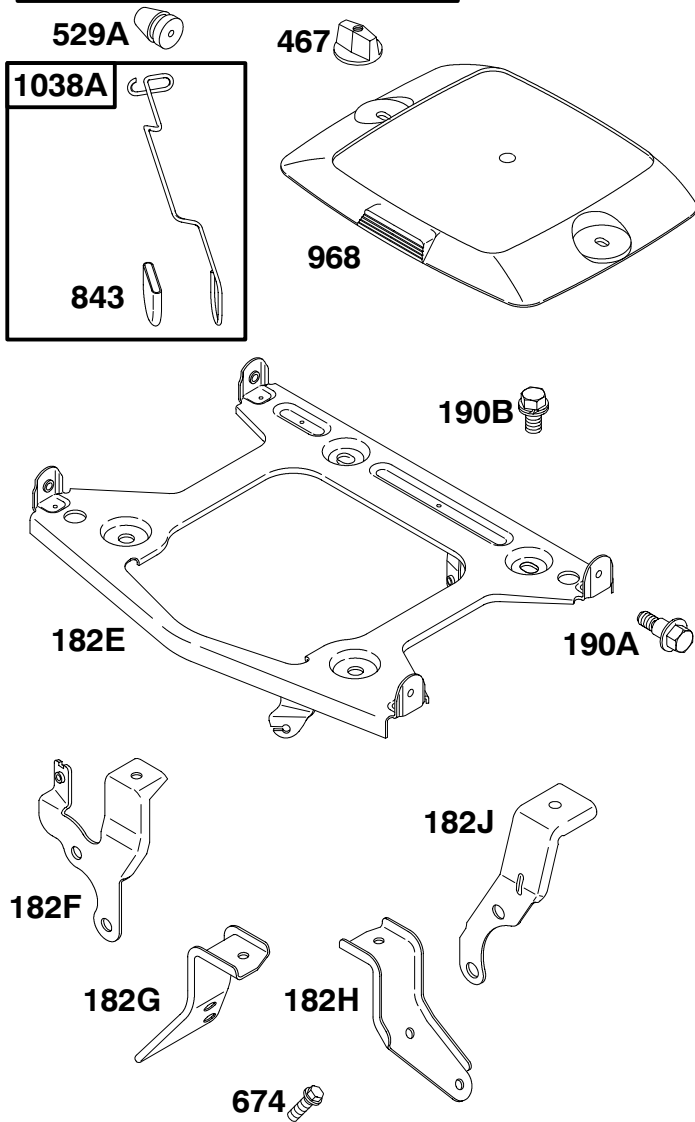
★ Included in Engine Gasket Set-Ref. No. 358.  
● Included in Carburetor Overhaul Kit-Ref. 121,121A.

Included in Valve Gasket Set-Ref. No. 1095.





**9 QUART CAPACITY**

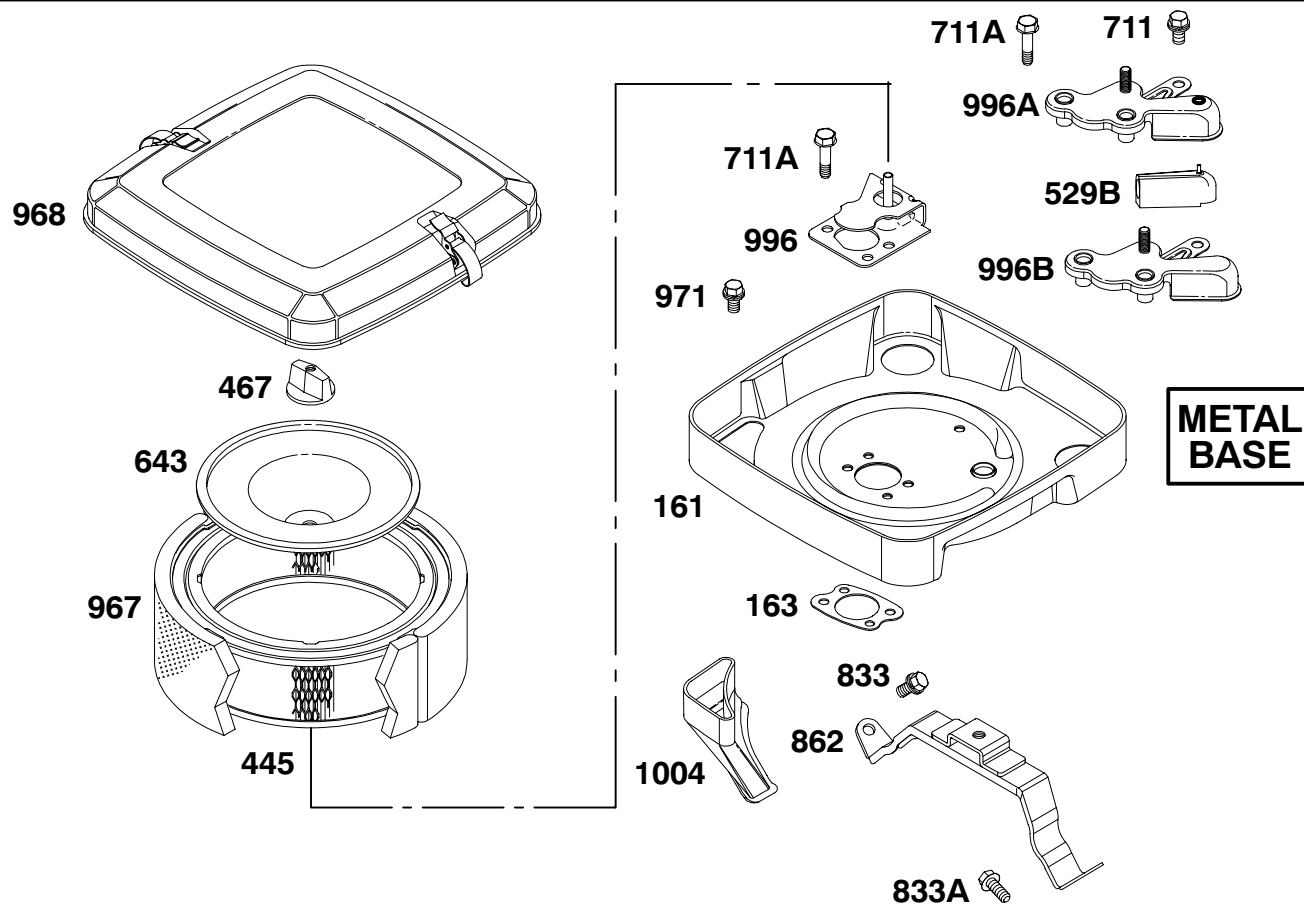


REF. NO.	PART NO.	DESCRIPTION	REF. NO.	PART NO.	DESCRIPTION	REF. NO.	PART NO.	DESCRIPTION
182E	691566	Fuel Tank Bracket	190B	805025	Screw (Fuel Tank Bracket)	843	691322	Lever Sleeve
182F	691520	Fuel Tank Bracket	210	691370	Fuel Strainer	957A	493988	Fuel Tank Cap
182G	691523	Fuel Tank Bracket	240C	808116	Fuel Filter	958A	494914	Fuel Shut-Off Valve
182H	691524	Fuel Tank Bracket	467	491875	Air Cleaner Knob	968	691334	Air Cleaner Cover
182J	691525	Fuel Tank Bracket	529A	691527	Grommet	972A	690663	Fuel Tank
187B	808122	Fuel Line	601	93807	Hose Clamp	1038A	691567	Fuel Shut-Off Rod
187C	808121	Fuel Line	601B	691522	Hose Clamp	1054	280275	Cable Tie
187D	808123	Fuel Line	674	805247	Screw (Fuel Tank Bracket)			
190A	94895	Screw (Fuel Tank)						

★ Included in Engine Gasket Set-Ref. No. 358.  
● Included in Carburetor Overhaul Kit-Ref. 121, 121A.

Included in Valve Gasket Set-Ref. No. 1095.

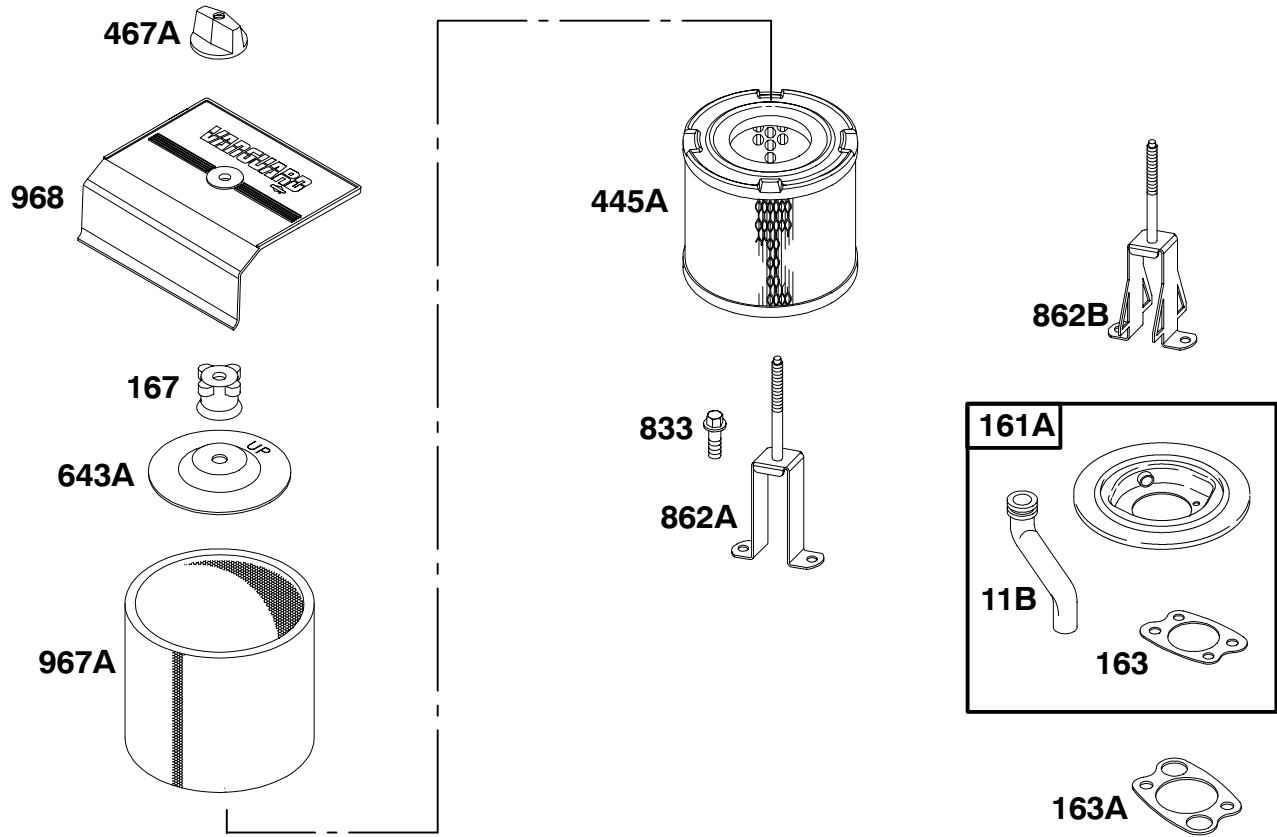
# 350400 to 350499



REF. NO.	PART NO.	DESCRIPTION	REF. NO.	PART NO.	DESCRIPTION	REF. NO.	PART NO.	DESCRIPTION
161	691561	Air Cleaner Base ----- Note ----- 690909 Air Cleaner Base Used on Type No(s). 0127, 0136, 0145, 0169, 1136, 1145, 1246, 1275, 1280.	529B	805783	Grommet (Breather Extension)	862	692153	Cleaner Mounting Strap
163	★805655	Air Cleaner Gasket	643	805631	Air Filter Retainer	967	272490	Pre-Cleaner Filter
445	394018	Air Cleaner Cartridge Filter	711	692539	Screw (Carburetor Shield)	968	807862	Air Cleaner Cover
467	491875	Air Cleaner Knob	711A	691492	Screw (Carburetor Shield)	971	692537	Screw (Air Cleaner Base)
			833	692539	Screw (Cleaner Mounting Strap)	996	691577	Carburetor Shield
			833A	690872	Screw (Cleaner Mounting Strap)	996A	807963	Carburetor Shield
						996B	691577	Carburetor Shield
						1004	690743	Air Duct

★ Included in Engine Gasket Set-Ref. No. 358.  
● Included in Carburetor Overhaul Kit-Ref. 121,121A.

Included in Valve Gasket Set-Ref. No. 1095.

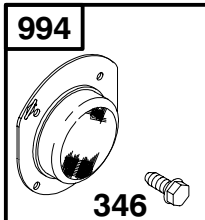
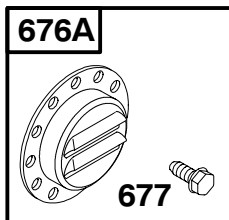
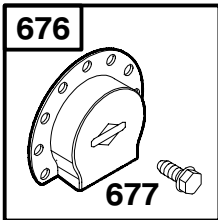
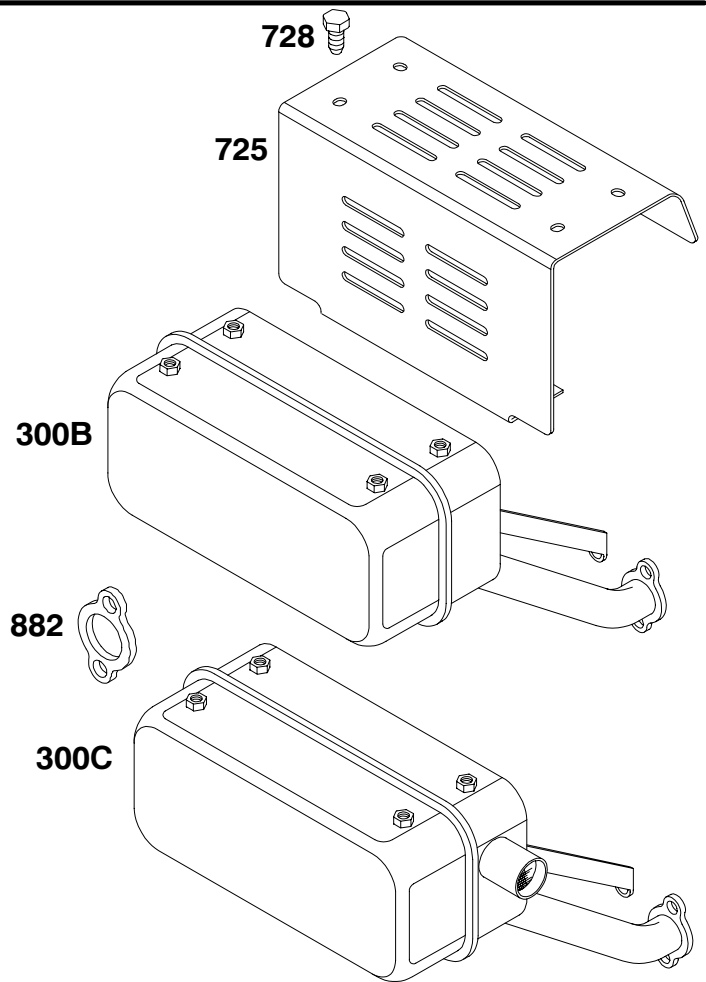
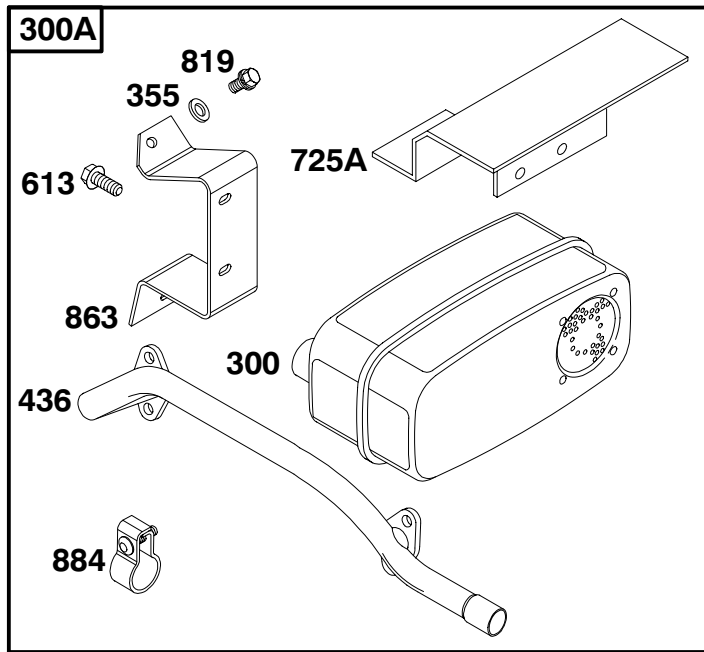


REF. NO.	PART NO.	DESCRIPTION	REF. NO.	PART NO.	DESCRIPTION	REF. NO.	PART NO.	DESCRIPTION
11B	691556	Breather Tube	445A	393957	Air Cleaner Cartridge Filter	862A	492133	Cleaner Mounting Strap
161A	808414	Air Cleaner Base	467A	493903	Air Cleaner Knob	862B	691565	Cleaner Mounting Strap
163	★805655	Air Cleaner Gasket	643A	690447	Air Filter Retainer	967A	271794	Pre-Cleaner Filter
163A	805003	Air Cleaner Gasket	833	810037	Screw (Cleaner Mounting Strap)	968	280903	Air Cleaner Cover
167	281051	Air Cleaner Stud Seal						

★ Included in Engine Gasket Set-Ref. No. 358.  
 ● Included in Carburetor Overhaul Kit-Ref. 121,121A.

Included in Valve Gasket Set-Ref. No. 1095.

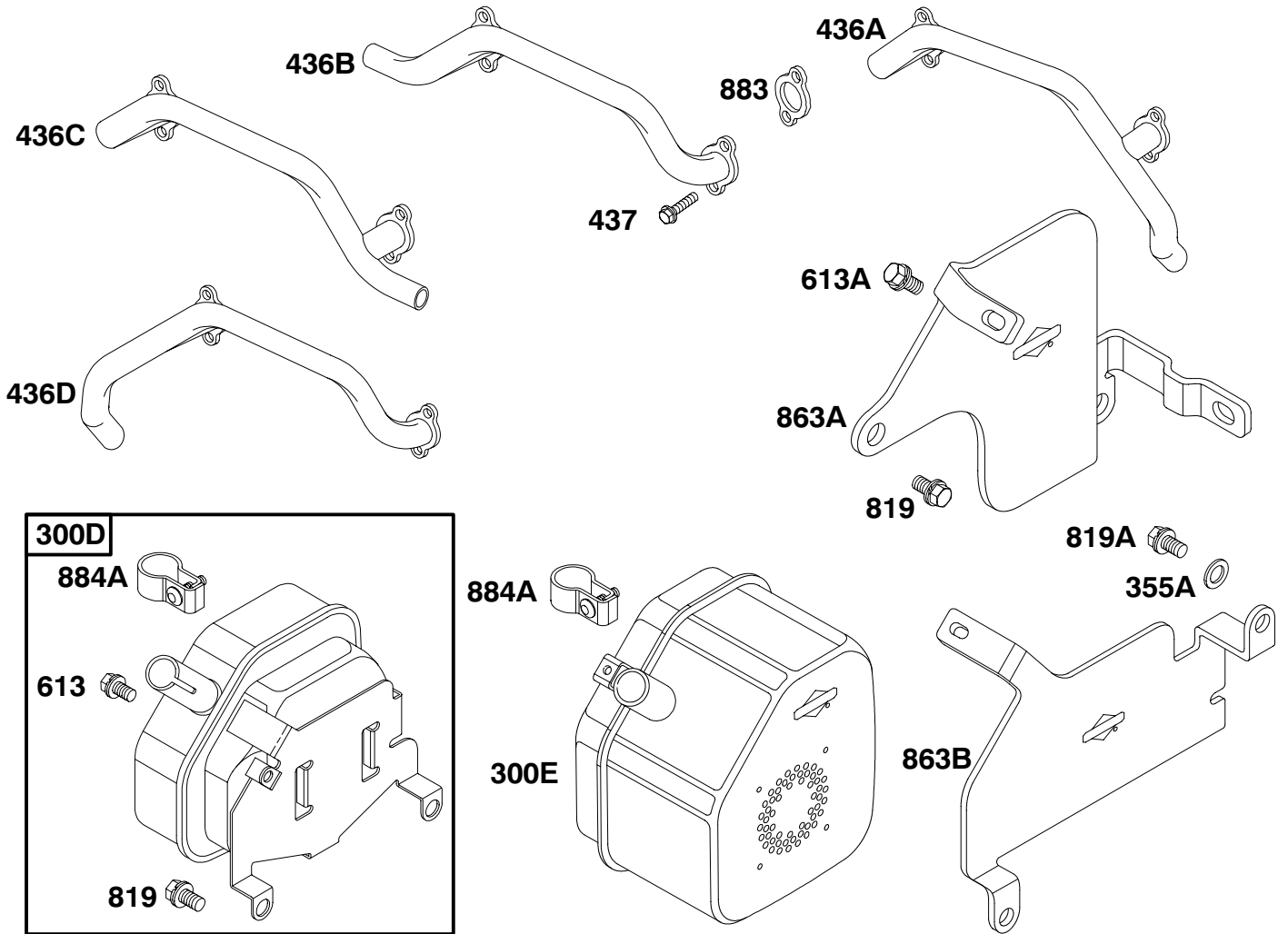
# 350400 to 350499



REF. NO.	PART NO.	DESCRIPTION	REF. NO.	PART NO.	DESCRIPTION	REF. NO.	PART NO.	DESCRIPTION
300	498984	Exhaust Muffler (Used After Code Date 97012300).	346	94896	Screw (Spark Arrester)	676A	397630	Muffler Deflector
		----- <b>Note</b> -----	355	690237	Washer (Muffler Bracket)	677	94896	Screw (Muffler Deflector)
		493963 Exhaust Muffler	436	805609	Exhaust Manifold	725	805702	Heat Shield
		(Used Before Code Date 97012400).	613	690297	Screw (Exhaust Muffler)	725A	806102	Heat Shield
300A	807752	Exhaust Muffler			(Used After Code Date 97012300).	728	805704	Screw (Heat Shield)
300B	807831	Exhaust Muffler (Cylinder 1 Side Outlet, Starter Motor Side)			----- <b>Note</b> -----	819	692537	Screw (Muffler Bracket)
					94786 Screw (Exhaust Muffler)	863	805610	Muffler Bracket
300C	807799	Exhaust Muffler (Cylinder 2 Side Outlet, Oil Filter Side)			(Used Before Code Date 97012400).	882	805502	Exhaust Flange
			676	393761	Muffler Deflector	884	392649	Muffler Clamp
						994	392390	Spark Arrester

★ Included in Engine Gasket Set-Ref. No. 358.  
● Included in Carburetor Overhaul Kit-Ref. 121,121A.

Included in Valve Gasket Set-Ref. No. 1095.

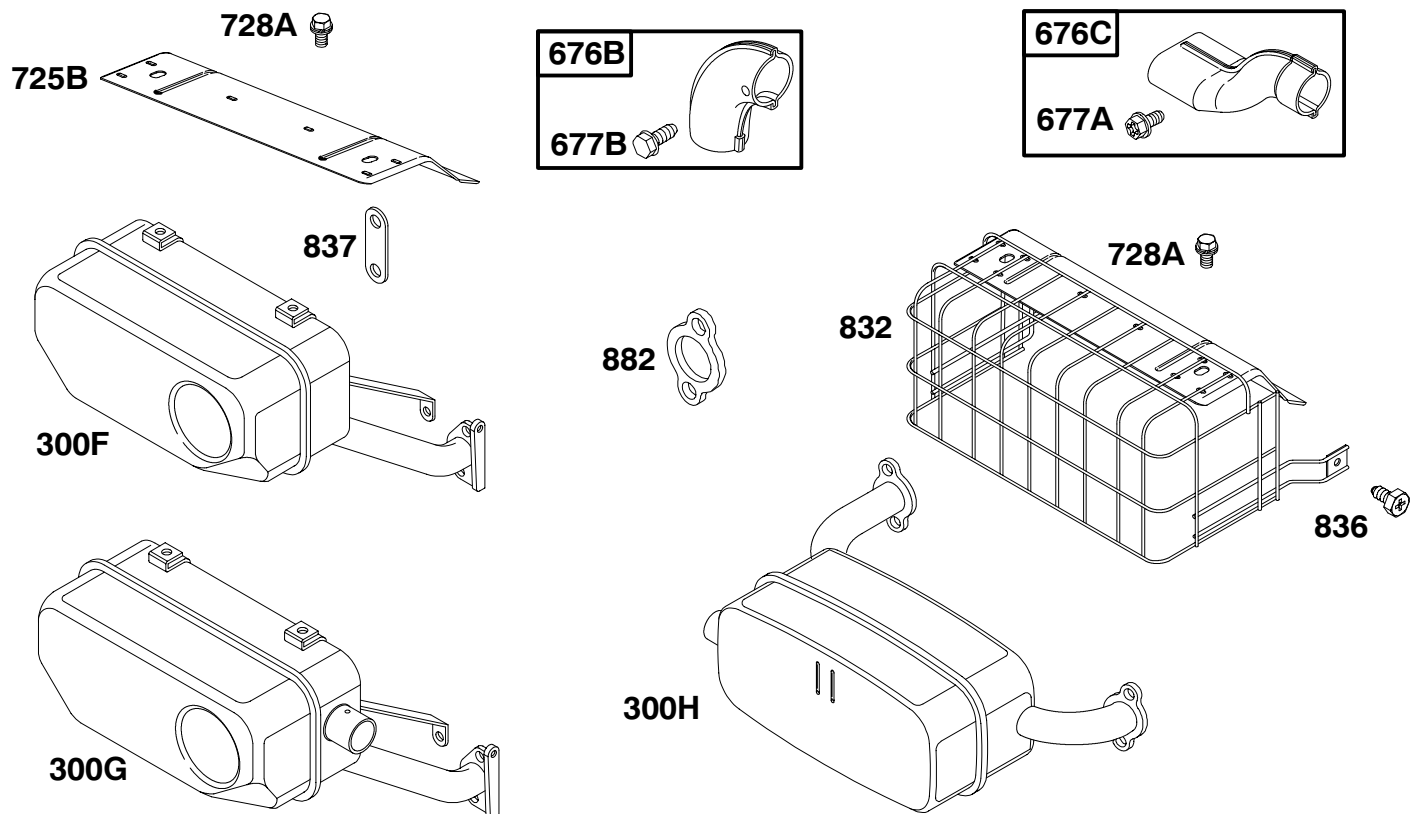


REF. NO.	PART NO.	DESCRIPTION	REF. NO.	PART NO.	DESCRIPTION	REF. NO.	PART NO.	DESCRIPTION
300D	807741	Exhaust Muffler	436D	691499	Exhaust Manifold	819	805025	Screw (Muffler Bracket)
300E	807948	Exhaust Muffler	437	805158	Screw (Exhaust Manifold)	819A	690943	Screw (Muffler Bracket)
355A	690944	Washer (Muffler Bracket)	613	692539	Screw (Exhaust Muffler)	863A	691513	Muffler Bracket
436A	805142	Exhaust Manifold	613A	805448	Screw (Exhaust Muffler)	863B	690756	Muffler Bracket
436B	691502	Exhaust Manifold				883 *	805024	Exhaust Gasket
436C	691501	Exhaust Manifold				884A	690898	Muffler Clamp

★ Included in Engine Gasket Set-Ref. No. 358.  
 ● Included in Carburetor Overhaul Kit-Ref. 121,121A.

Included in Valve Gasket Set-Ref. No. 1095.

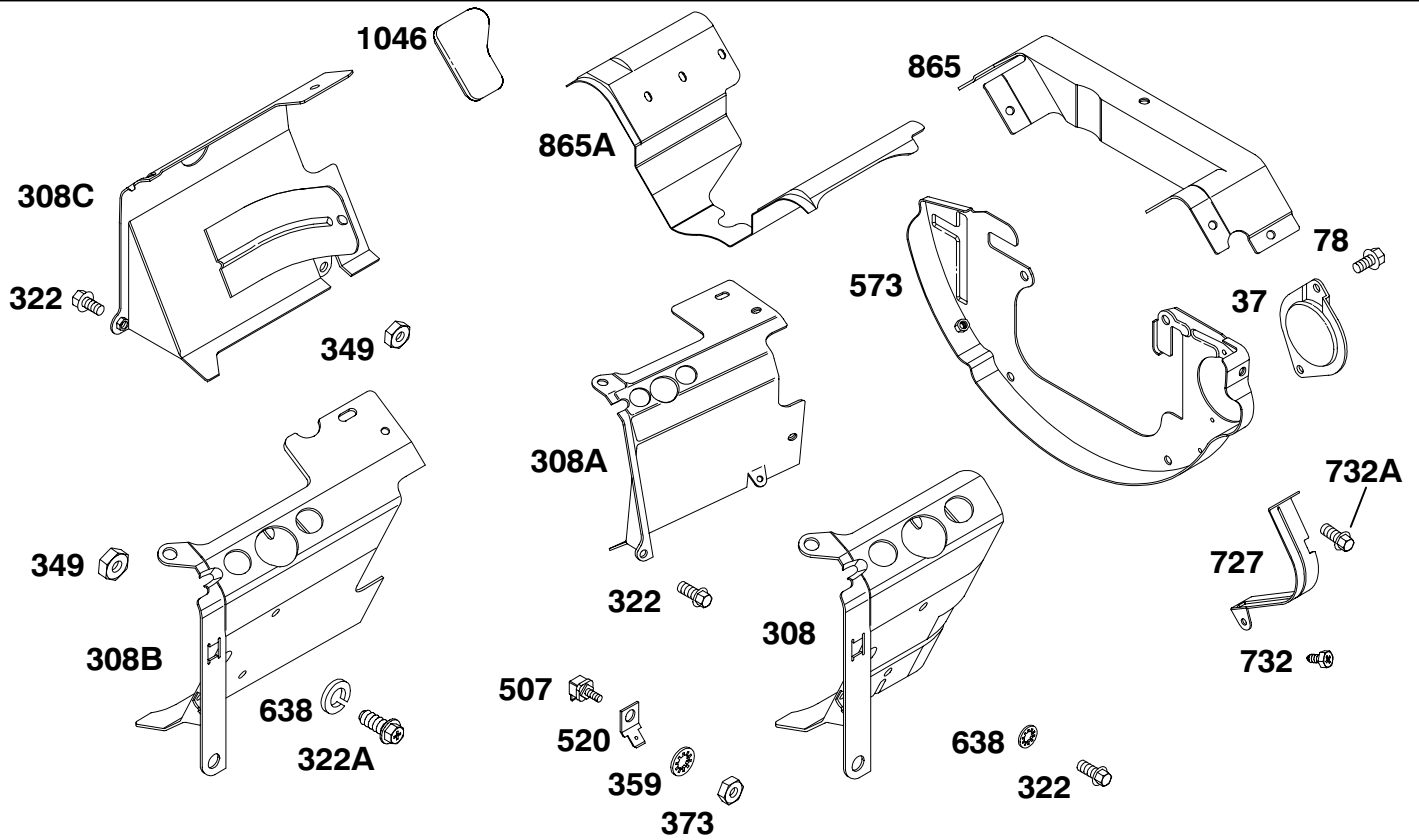
# 350400 to 350499



REF. NO.	PART NO.	DESCRIPTION	REF. NO.	PART NO.	DESCRIPTION	REF. NO.	PART NO.	DESCRIPTION
300F	690906	Exhaust Muffler (Cylinder 1 Side Outlet, Starter Motor Side)	676B	495518	Muffler Deflector	728A	691514	Screw (Heat Shield)
			676C	808394	Muffler Deflector	832	691571	Muffler Guard
			677A	690688	Screw (Muffler Deflector)	836	805448	Screw (Muffler Guard)
300G	691562	Exhaust Muffler (Cylinder 2 Side Outlet, Oil Filter Side)	677B	810079	Screw (Muffler Deflector)	837	808085	Muffler Spacer (Includes 2)
			725B	691498	Heat Shield	882	805502	Exhaust Flange
300H	690931	Exhaust Muffler						
		----- <b>Note</b> ----- 692464 Exhaust Muffler Used on Type No(s). 1145.						

★ Included in Engine Gasket Set-Ref. No. 358.  
● Included in Carburetor Overhaul Kit-Ref. 121, 121A.

Included in Valve Gasket Set-Ref. No. 1095.



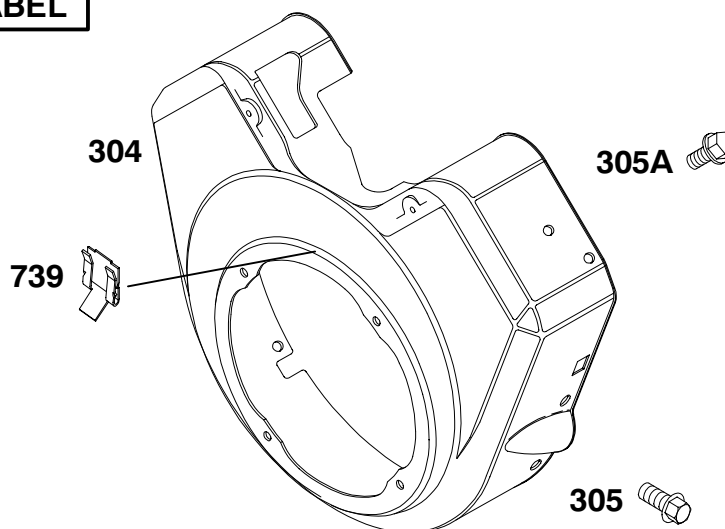
REF. NO.	PART NO.	DESCRIPTION	REF. NO.	PART NO.	DESCRIPTION	REF. NO.	PART NO.	DESCRIPTION
37	690715	Flywheel Guard	308B	806545	Cylinder Head Cover (Cylinder 1, Black) (Used After Code Date 98113000).	359	691077	Washer (Ground Terminal)
78	690688	Screw (Flywheel Guard)				373	90576	Nut (Ground Terminal)
308	691575	Cylinder Head Cover (Cylinder 1, Black) (Used After Code Date 94110300).			----- Note -----	507	398525	Insulator
		----- Note -----			691576 Cylinder Head Cover (Cylinder 1, Black) (Used Before Code Date 98120100).	520	691084	Ground Terminal
		807868 Cylinder Head Cover (Cylinder 1, Black) (Used Before Code Date 94110400).	308C	806544	Cylinder Head Cover (Cylinder 2, Black) (Used After Code Date 98113000).	573	690902	Back Plate
308A	690913	Cylinder Head Cover (Cylinder 2, Black) (Used After Code Date 94110300).			----- Note -----	638	691551	Washer (Cylinder Head Cover)
		----- Note -----			691563 Cylinder Head Cover (Cylinder 1, Black) (Used Before Code Date 98120100).	727	690714	Starter Drive Cover Screw
		807869 Cylinder Head Cover (Used Before Code Date 94110400).	322	692539	Screw (Cylinder Head Cover)	732	690688	Screw (Starter Drive Cover)
			322A	805448	Screw (Cylinder Head Cover)	732A	692539	Screw (Starter Drive Cover)
			349	690238	Nut (Cylinder Head Cover)	865	690901	Air Guide Cover (Black)
								----- Note -----
								690908 Air Guide Cover (Black) Used on Type No(s). 0124, 0139, 1139, 1206.
						865A	690750	Air Guide Cover
						1046	805753	Blower Housing Plug

★ Included in Engine Gasket Set-Ref. No. 358.  
 ● Included in Carburetor Overhaul Kit-Ref. 121,121A.

Included in Valve Gasket Set-Ref. No. 1095.

# 350400 to 350499

## 1036 EMISSIONS LABEL

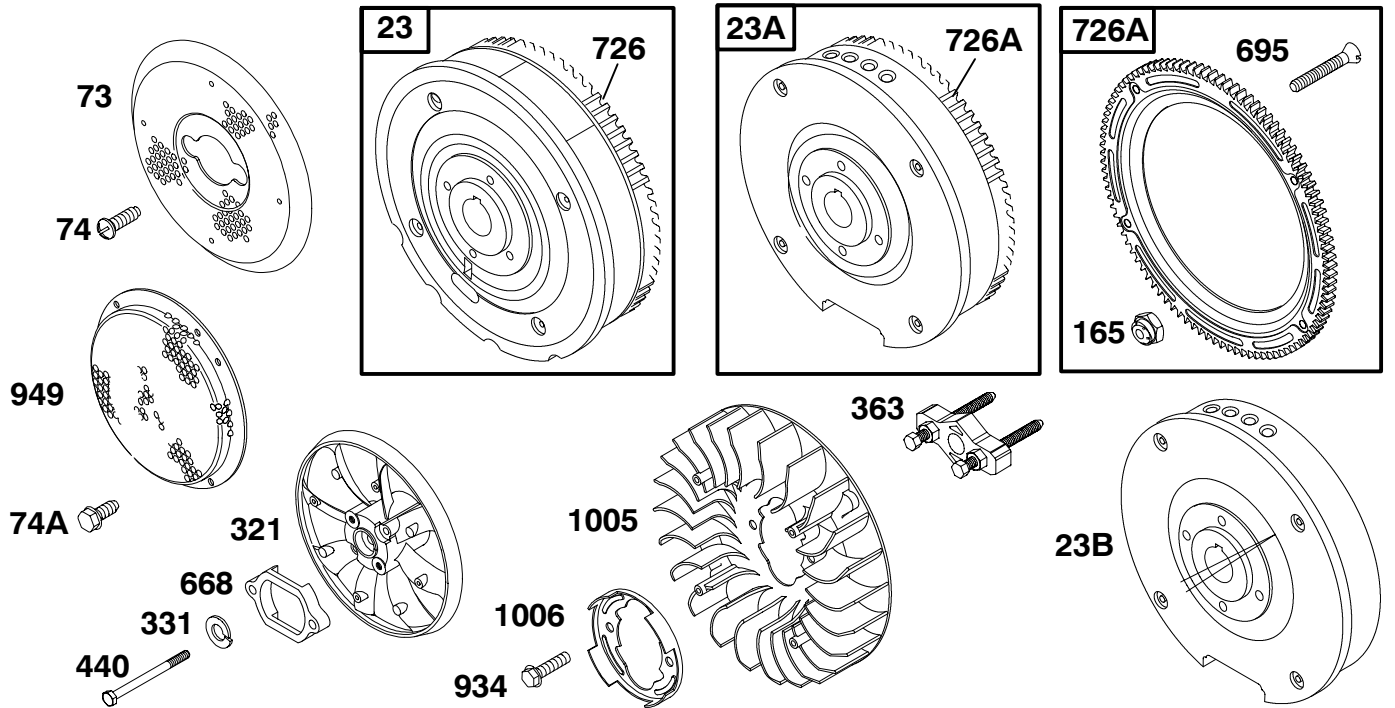


REF. NO.	PART NO.	DESCRIPTION	REF. NO.	PART NO.	DESCRIPTION	REF. NO.	PART NO.	DESCRIPTION
<b>304</b>	<b>690929</b>	Blower Housing (Black) (Used After Code Date 93041500). ----- <b>Note</b> ----- <b>690930</b> Blower Housing (Red) (Used After Code Date 93041500). <b>807773</b> Blower Housing (Red) (Used Before Code Date 93041600).	<b>305</b>	<b>692539</b>	Screw (Blower Housing)	<b>1036</b>	<b>806688</b>	Emission Label (Used After Code Date 99093000). ----- <b>Note</b> ----- <b>806633</b> Emission Label (Used Before Code Date 99100100 and After Code Date 98123100). <b>499370</b> Emission Label (Used Before Code Date 99010100 and After Code Date 97052500). <b>499369</b> Emission Label (Used Before Code Date 97052600).
			<b>305A</b>	<b>805025</b>	Screw (Blower Housing)			
			<b>739</b>	<b>690451</b>	Debris Clip Used on Type No(s). 0115, 0144, 1144, 1154, 1275, 1280, 1397.			

★ Included in Engine Gasket Set-Ref. No. 358.  
● Included in Carburetor Overhaul Kit-Ref. 121,121A.

Included in Valve Gasket Set-Ref. No. 1095.



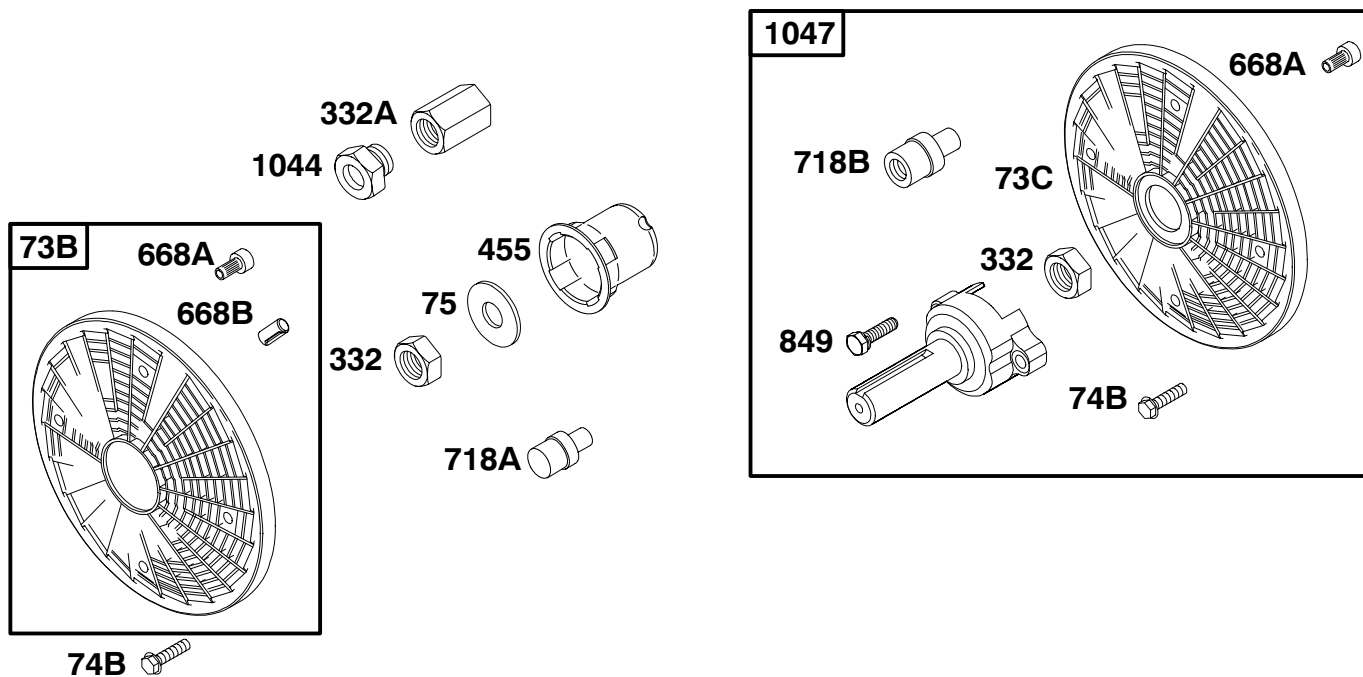


REF. NO.	PART NO.	DESCRIPTION	REF. NO.	PART NO.	DESCRIPTION	REF. NO.	PART NO.	DESCRIPTION
23	808768	Flywheel (Steel Ring Gear)	23B	690922	Flywheel (For Rewind Starter)	726		Ring Gear (Steel)
		----- Note -----	73	690478	Rotating Screen			(Sold in Flywheel Kit Only; Ref. 23)
		808772 Flywheel (Steel Ring Gear)	74	94626	Screw (Rotating Screen)	726A	807805	Ring Gear (Services Aluminum Ring Gear Only)
		Used on Type No(s). 1009, 1012, 1029, 1057, 1241, 1276, 1282.	74A	805026	Screw (Rotating Screen)	934	94627	Screw (Fan Retainer)
		808776 Flywheel (Steel Ring Gear)	165	693148	Nut (Ring Gear)	949	690475	Debris Screen Guard
		Used on Type No(s). 1277, 1399.	321	690379	Booster Fan	1005	690911	Flywheel Fan (Used After Code Date 93051300).
23A	690921	Flywheel (Aluminum Ring Gear)	331	691075	Washer (Booster Fan)			----- Note -----
		(Used After Code Date 93041500).	363	19203	Flywheel Puller			808410 Flywheel Fan (Used Before Code Date 93051400).
		----- Note -----	440	690362	Screw (Booster Fan)	1006	690452	Fan Retainer
		807790 Flywheel (Aluminum Ring Gear)	440	690362	Screw (Booster Fan)			
		(Used Before Code Date 93041600).	668	690860	Spacer			
		808302 Flywheel (Aluminum Ring Gear)	695	693149	Screw (Ring Gear)			
		Used on Type No(s). 1009, 1012, 1029, 1057, 1241.						

★ Included in Engine Gasket Set-Ref. No. 358.  
 ● Included in Carburetor Overhaul Kit-Ref. 121,121A.

Included in Valve Gasket Set-Ref. No. 1095.

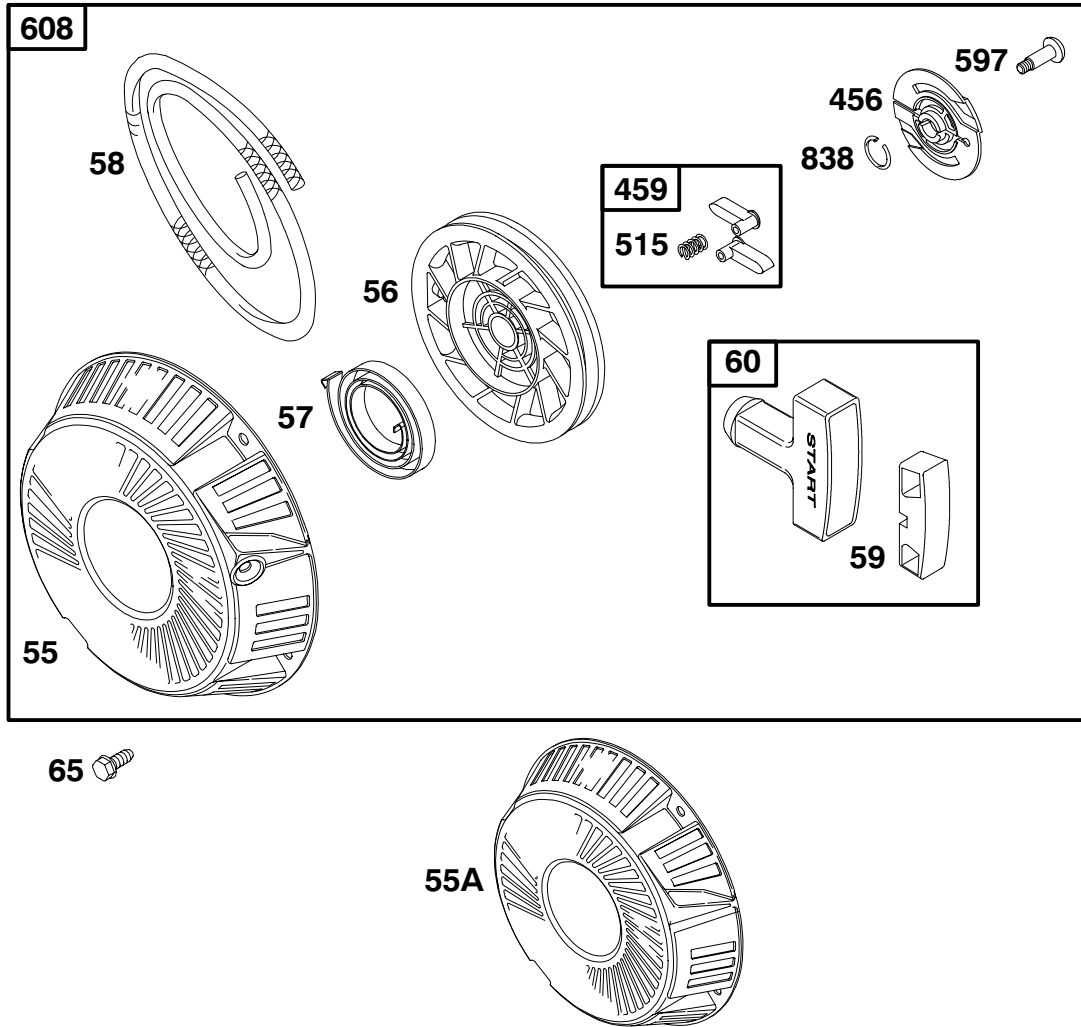
# 350400 to 350499



REF. NO.	PART NO.	DESCRIPTION	REF. NO.	PART NO.	DESCRIPTION	REF. NO.	PART NO.	DESCRIPTION
73B	494439	Rotating Screen	332A	805744	Nut (Flywheel)	668A	691500	Spacer
73C	690749	Rotating Screen	455	690864	Flywheel Cup (Used After Code Date 93081500).	668B	691215	Spacer
74B	94117	Screw (Rotating Screen)			----- <b>Note</b> -----	718A	690760	Locating Pin
75	691490	Washer (Flywheel)			807881 Flywheel Cup (Used Before Code Date 93081600).	718B	690740	Locating Pin
849	691088	Screw (Stub Shaft)				1044	805756	Screw (Flywheel)
332	690887	Nut (Flywheel)				1047	807867	Stub Shaft

★ Included in Engine Gasket Set-Ref. No. 358.  
 ● Included in Carburetor Overhaul Kit-Ref. 121,121A.

Included in Valve Gasket Set-Ref. No. 1095.

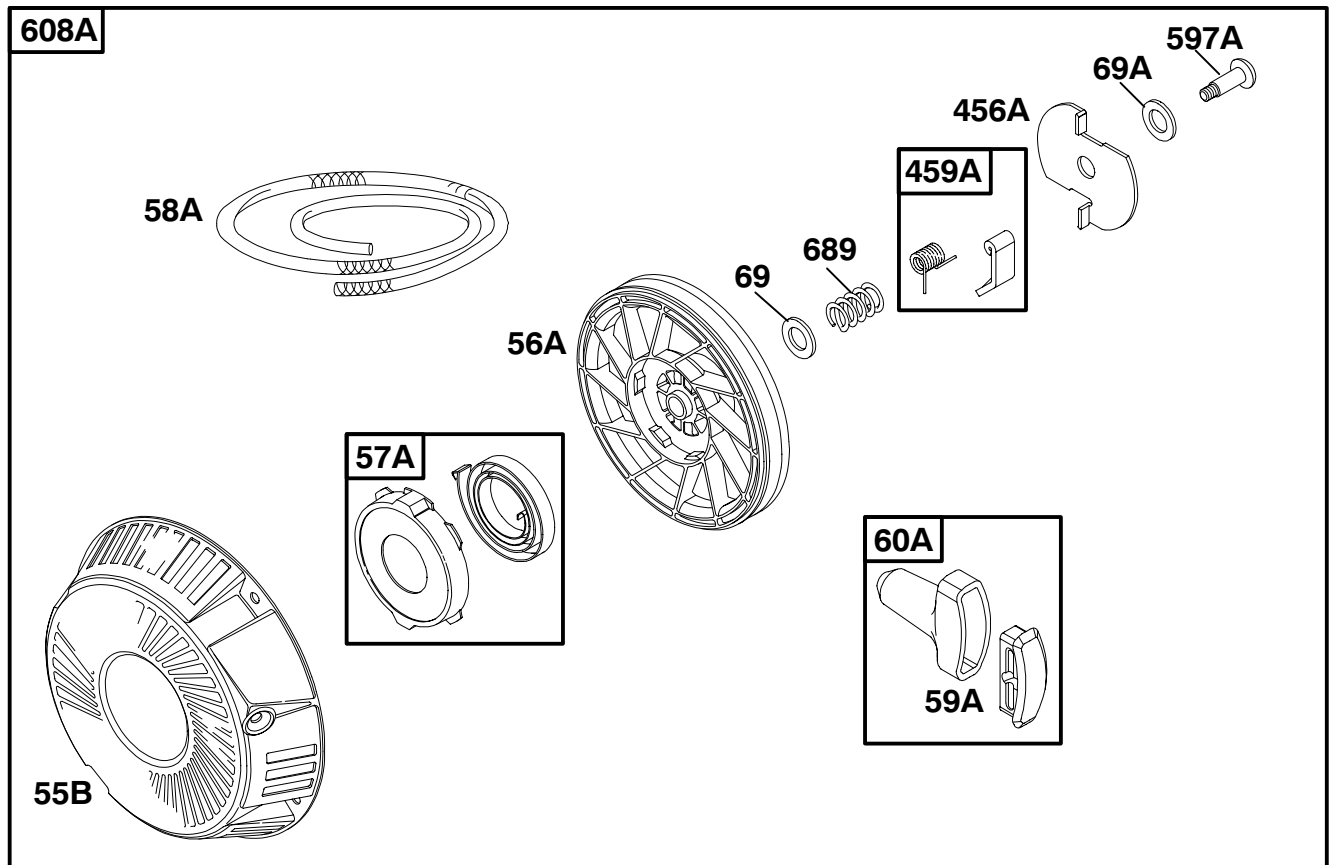


REF. NO.	PART NO.	DESCRIPTION	REF. NO.	PART NO.	DESCRIPTION	REF. NO.	PART NO.	DESCRIPTION
55	691568	Rewind Starter Housing	56	805949	Starter Pulley	456	691529	Pawl Friction Plate
55A	808086	Rewind Starter Housing Used on Type No(s). 0109, 0110, 0128, 1128, 1171, 1184, 1191, 1199, 1204, 1230, 1290.	57	805951	Rewind Starter Spring	459	808166	Ratchet Pawl
			58	66574	Starter Rope (Cut to Required Length)	515	691528	Pawl Spring
			59	805957	Grip Insert	597	690876	Screw (Pawl Friction Plate)
			60	808167	Starter Rope Grip	608	808087	Rewind Starter (Used After Code Date 93081500).
			65	805026	Screw (Rewind Starter)	838	690875	Rewind Starter Ring

★ Included in Engine Gasket Set-Ref. No. 358.  
● Included in Carburetor Overhaul Kit-Ref. 121,121A.

Included in Valve Gasket Set-Ref. No. 1095.

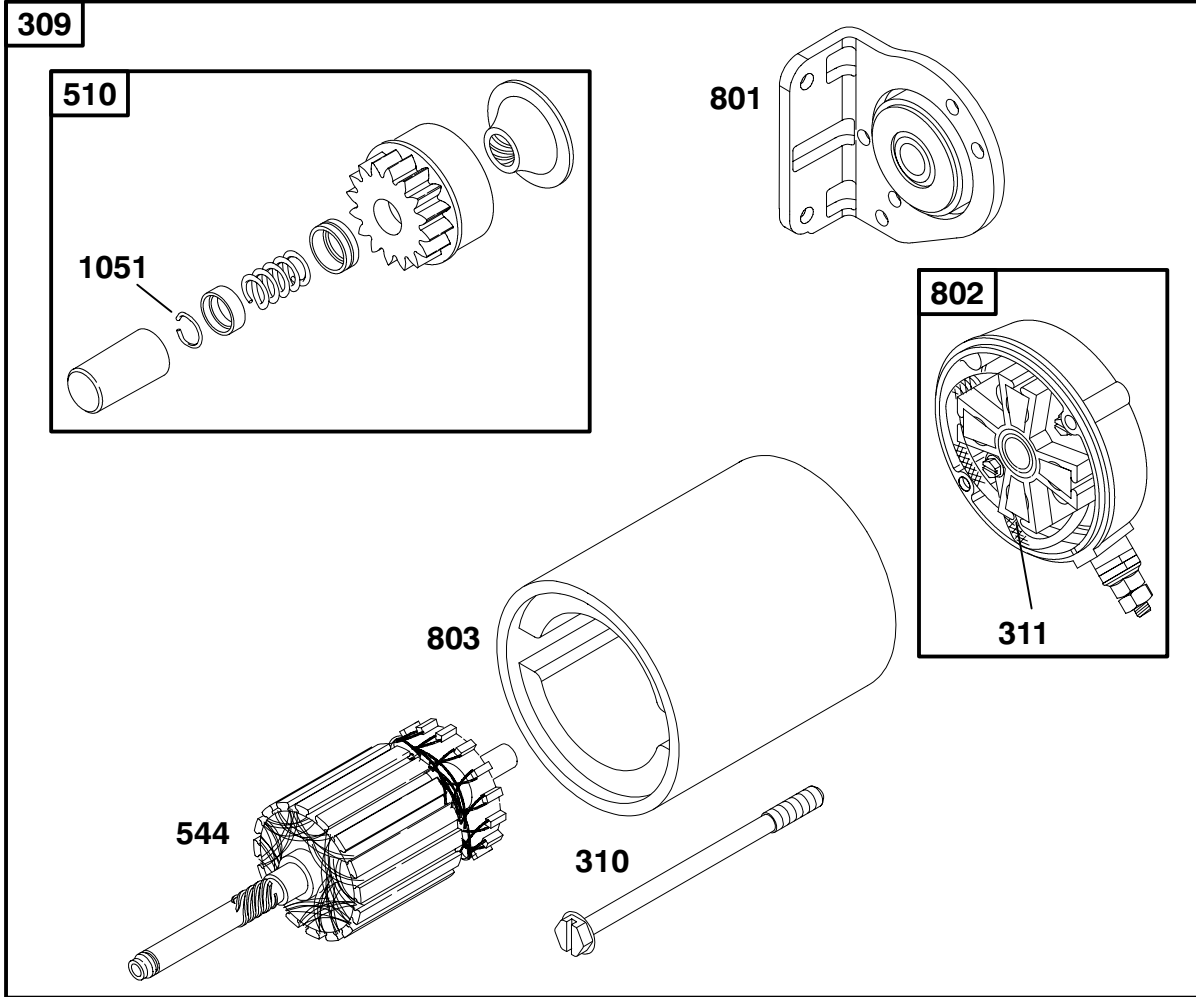
# 350400 to 350499



REF. NO.	PART NO.	DESCRIPTION	REF. NO.	PART NO.	DESCRIPTION	REF. NO.	PART NO.	DESCRIPTION
55B	492193	Rewind Starter Housing	65	805026	Screw (Rewind Starter)	597A	94463	Screw (Pawl Friction Plate)
56A	280918	Starter Pulley	69	94464	Washer (Starter Clutch)	689	262564	Friction Spring
57A	492194	Rewind Starter Spring	69A	94462	Washer (Starter Clutch)	608A	808153	Rewind Starter (Includes 690864 Flywheel Cup)
58A	66894	Starter Rope (Cut To Required Length)	456A	224228	Pawl Friction Plate			(Used Before Code Date 93081600).
59A	490653	Grip Insert	459A	492431	Ratchet Pawl			
60A	490652	Starter Rope Grip						

★ Included in Engine Gasket Set-Ref. No. 358.  
 ● Included in Carburetor Overhaul Kit-Ref. 121,121A.

Included in Valve Gasket Set-Ref. No. 1095.

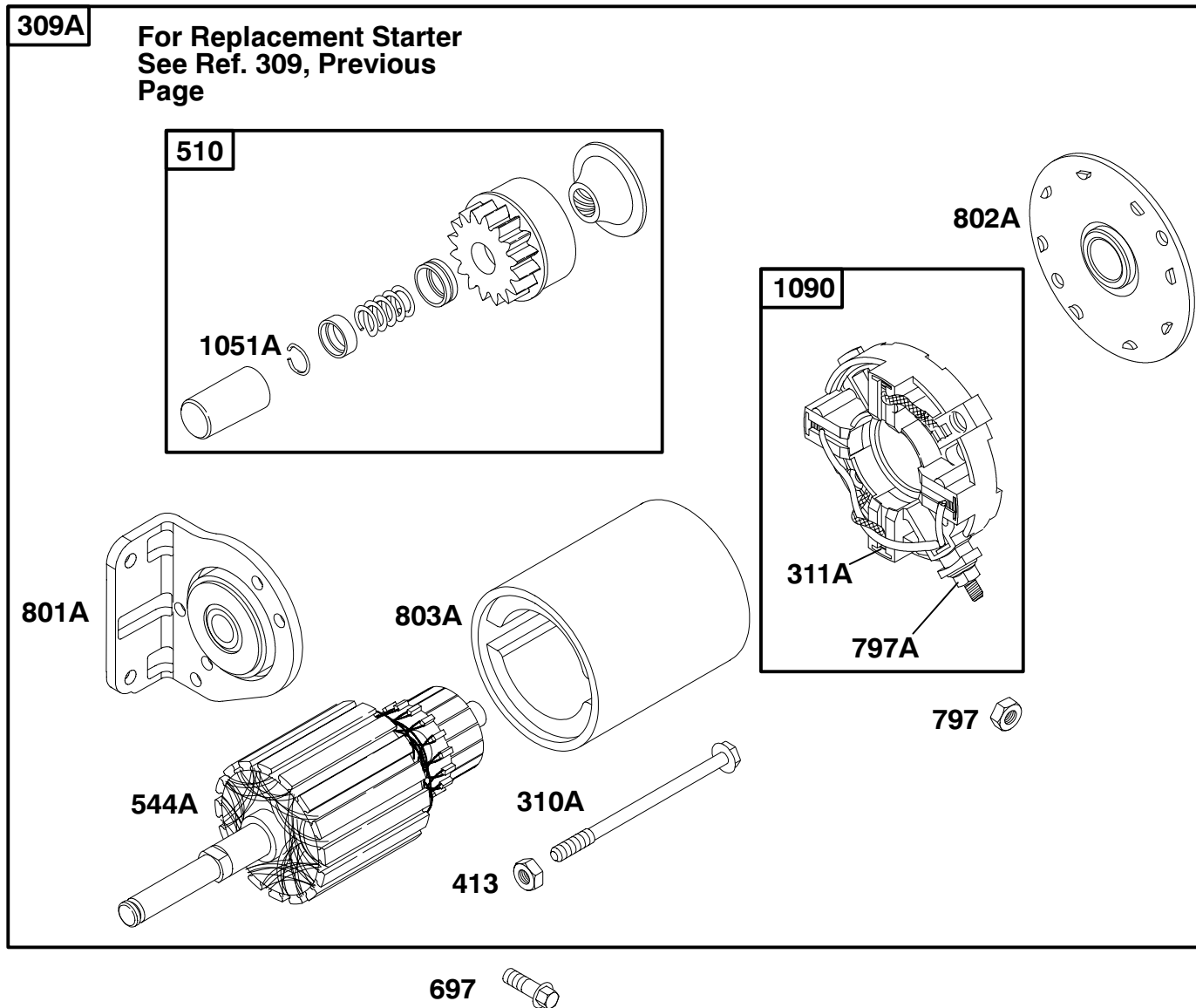


REF. NO.	PART NO.	DESCRIPTION	REF. NO.	PART NO.	DESCRIPTION	REF. NO.	PART NO.	DESCRIPTION
309	691564	Starter Motor (Steel Ring Gear)	311	496887	Brush Set	801	808777	Drive Cap
310	496880	Bolt (Starter Motor)	510	496881	Starter Drive	802	496813	End Cap
			544	690855	Starter Armature	803	690854	Starter Housing
			697	805247	Screw (Drive Cap)	1051	263080	Retaining Ring

★ Included in Engine Gasket Set-Ref. No. 358.  
● Included in Carburetor Overhaul Kit-Ref. 121,121A.

Included in Valve Gasket Set-Ref. No. 1095.

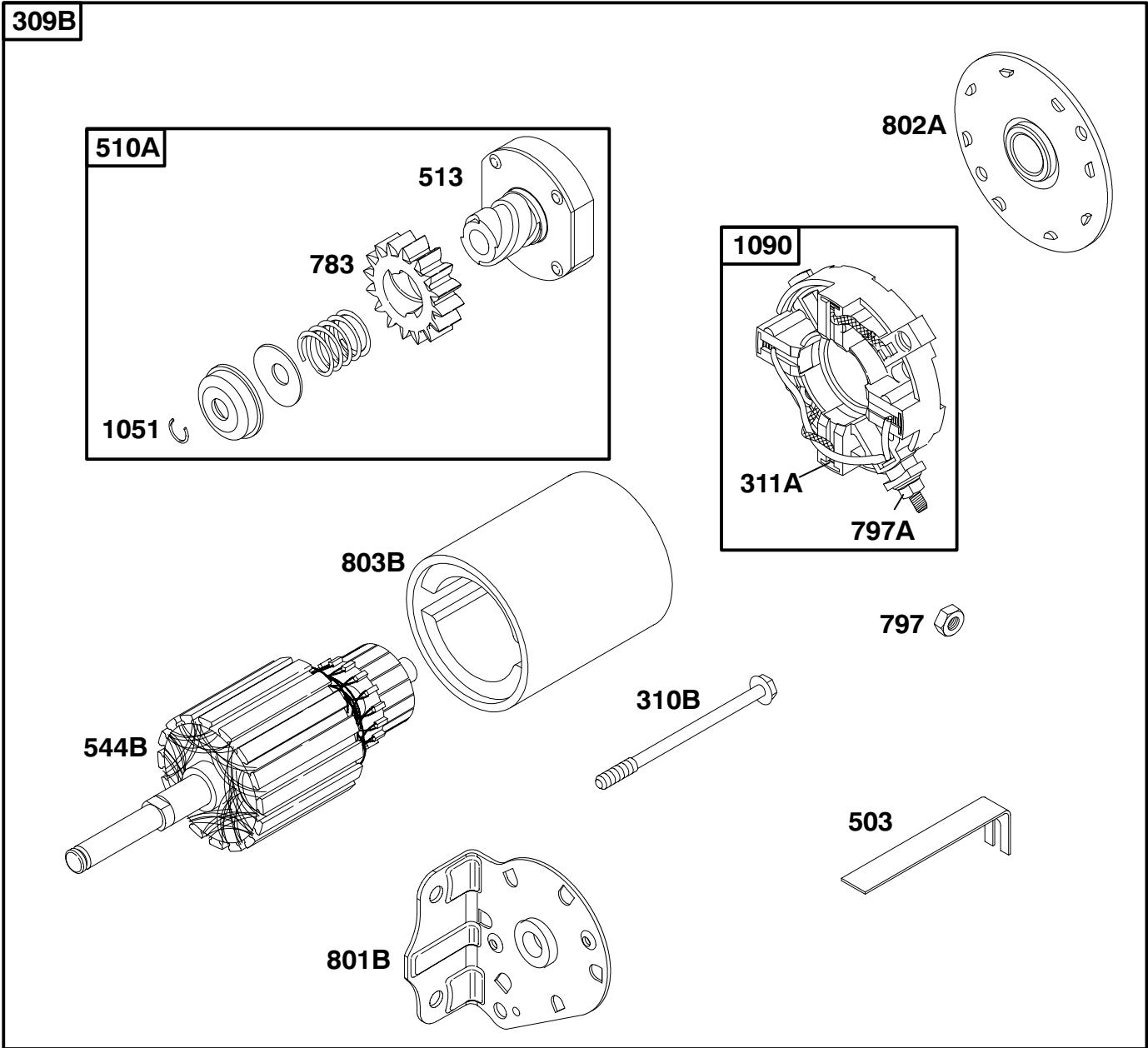
# 350400 to 350499



REF. NO.	PART NO.	DESCRIPTION	REF. NO.	PART NO.	DESCRIPTION	REF. NO.	PART NO.	DESCRIPTION	
<b>309A</b>		Starter Motor (Steel Ring Gear) For Replacement	<b>413</b>	<b>693587</b>	Nut (Starter Motor)	<b>797A</b>	<b>693167</b>	Nut (Brush Retainer)	
		Starter Motor, See Ref 309, Previous Page.	<b>510</b>	<b>496881</b>	Starter Drive	<b>801A</b>	<b>808778</b>	Drive Cap	
	<b>310A</b>	<b>690323</b>	Bolt (Starter Motor)	<b>544A</b>	<b>693548</b>	Starter Armature	<b>802A</b>	<b>497607</b>	End Cap
	<b>311A</b>	<b>497608</b>	Brush Set	<b>697</b>	<b>805247</b>	Screw (Drive Cap)	<b>803A</b>	<b>693547</b>	Starter Housing
			<b>797</b>	<b>92278</b>	Nut (Brush Retainer)	<b>1090</b>	<b>497605</b>	Brush Retainer	
						<b>1051A</b>	<b>691124</b>	Retaining Ring	

★ Included in Engine Gasket Set-Ref. No. 358.  
● Included in Carburetor Overhaul Kit-Ref. 121,121A.

Included in Valve Gasket Set-Ref. No. 1095.

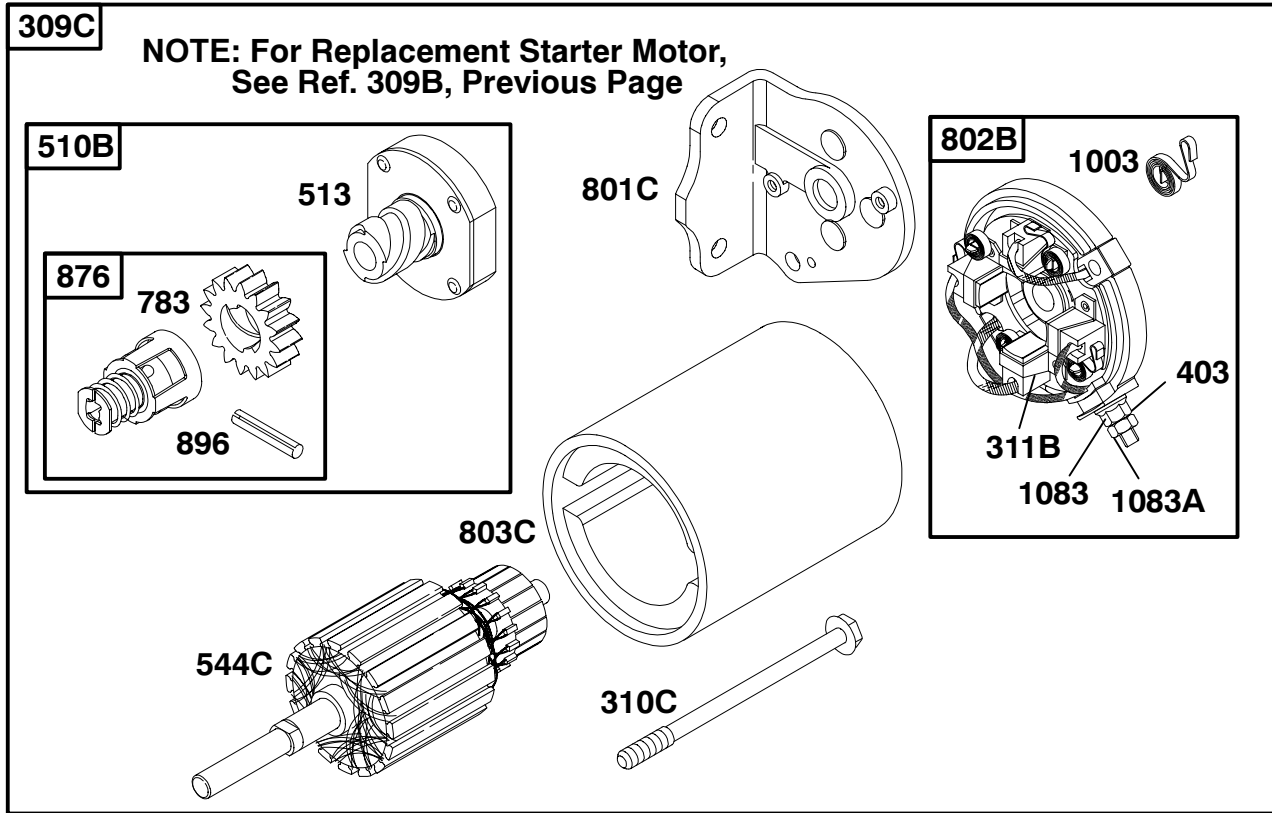


REF. NO.	PART NO.	DESCRIPTION	REF. NO.	PART NO.	DESCRIPTION	REF. NO.	PART NO.	DESCRIPTION
309B	499521	Starter Motor (For Aluminum Ring Gear Flywheels)	544B		Starter Armature (Served By 499521 Starter Motor Only)	797A	693167	Nut (Brush Retainer)
310B	691263	Bolt (Starter Motor)	697	805247	Screw (Drive Cap)	801B	691429	Drive Cap
311A	497608	Brush Set	783	693059	Pinion Gear	802A	497607	End Cap
503	691532	Starter Strap	797	92278	Nut (Brush Retainer)	803B		Starter Housing (Served By 499521 Starter Motor Only)
510A	497606	Starter Drive				1051	263080	Retaining Ring
513	398003	Drive Clutch				1090	497605	Brush Retainer

★ Included in Engine Gasket Set-Ref. No. 358.  
● Included in Carburetor Overhaul Kit-Ref. 121,121A.

Included in Valve Gasket Set-Ref. No. 1095.

# 350400 to 350499

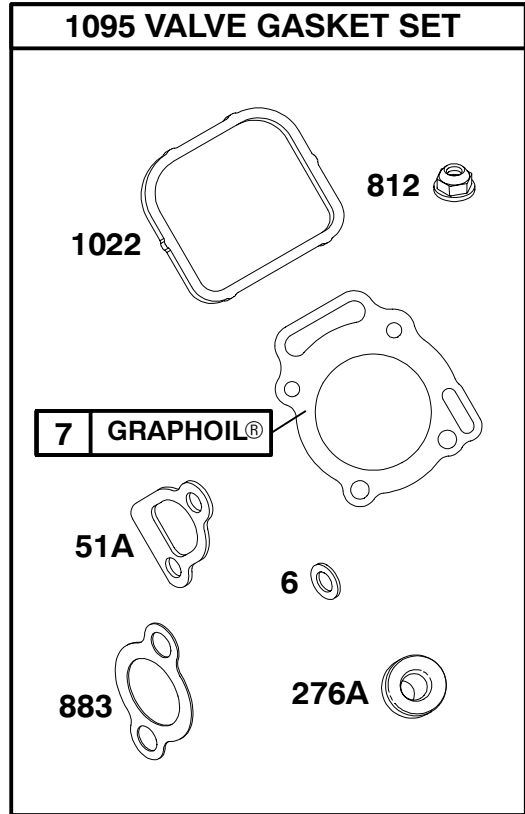
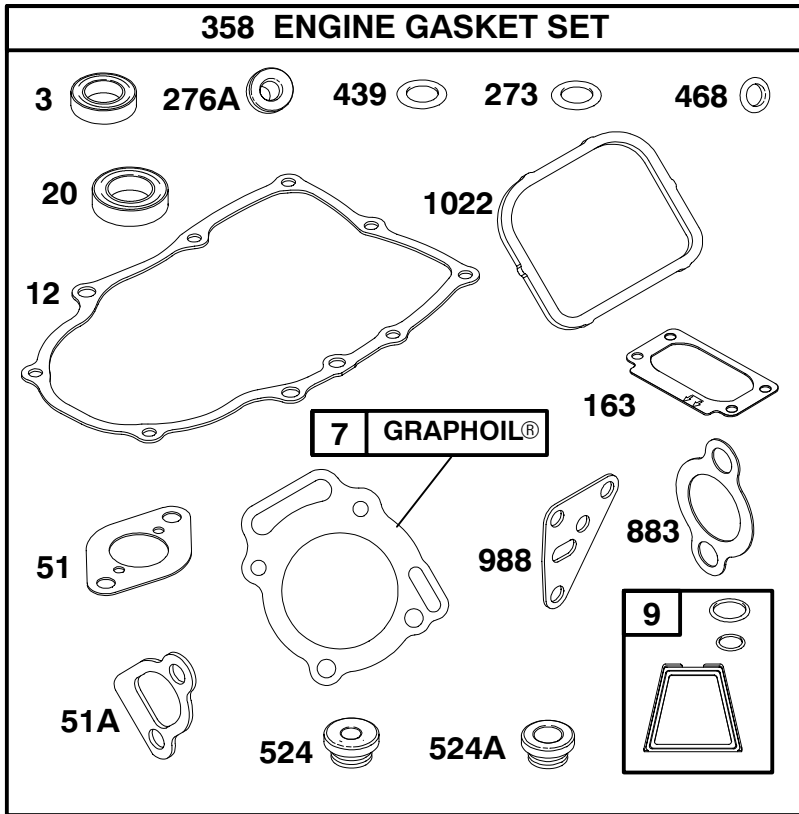


REF. NO.	PART NO.	DESCRIPTION	REF. NO.	PART NO.	DESCRIPTION	REF. NO.	PART NO.	DESCRIPTION
<b>309C</b>		Starter Motor (Aluminum Ring Gear Flywheels) (For Replacement Starter Motor, See Ref 309B, Previous Page.)	<b>544C</b>	<b>490309</b>	Starter Armature (For 4 3/8" Housing Length)	<b>803C</b>	<b>494205</b>	Starter Housing (For 4 3/8" Housing Length)
			<b>697</b>	<b>805247</b>	Screw (Drive Cap)			----- <b>Note</b> ----- <b>398892</b> Starter Housing
<b>310C</b>	<b>692329</b>	Bolt (Starter Motor)	<b>783</b>	<b>693059</b>	Pinion Gear			(For 4 9/16" Housing Length)
<b>311B</b>	<b>490311</b>	Brush Set (For 4 9/16" Housing Length)	<b>801C</b>	<b>394856</b>	Drive Cap	<b>876</b>	<b>495877</b>	Gear Kit
			<b>802B</b>	<b>494988</b>	End Cap (For 4 3/8" Housing Length)	<b>896</b>	<b>94288</b>	Drive Retainer Pin
					----- <b>Note</b> ----- <b>498233</b> End Cap (For 4 9/16" Housing Length)	<b>1003</b>	<b>490316</b>	Brush Spring
<b>403</b>	<b>690288</b>	Washer (End Cap)				<b>1083</b>	<b>93715</b>	Nut (End Cap)
<b>510B</b>	<b>495878</b>	Starter Drive				<b>1083A</b>	<b>94010</b>	Nut (End Cap)
<b>513</b>	<b>398003</b>	Drive Clutch						

★ Included in Engine Gasket Set-Ref. No. 358.  
● Included in Carburetor Overhaul Kit-Ref. 121,121A.

Included in Valve Gasket Set-Ref. No. 1095.



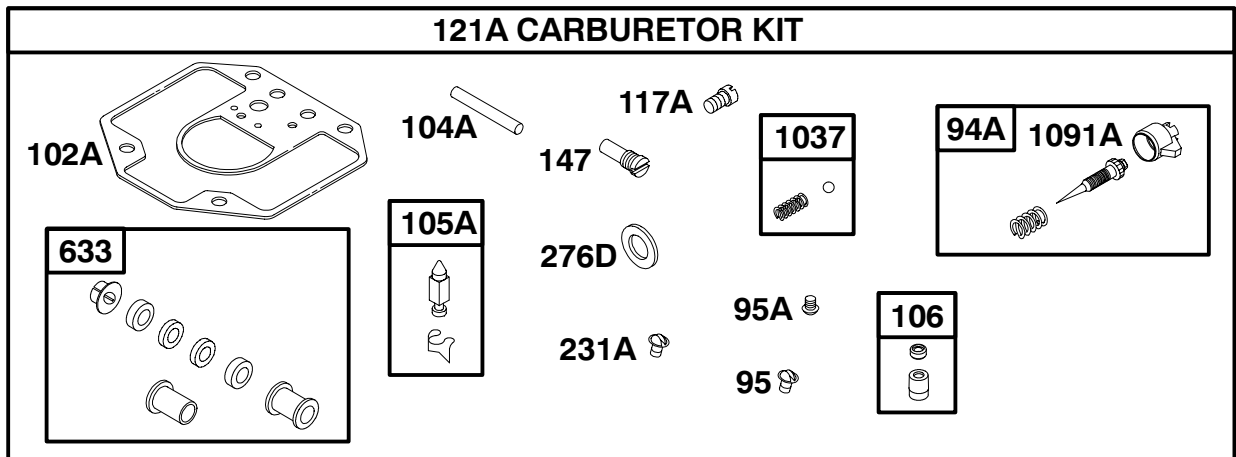
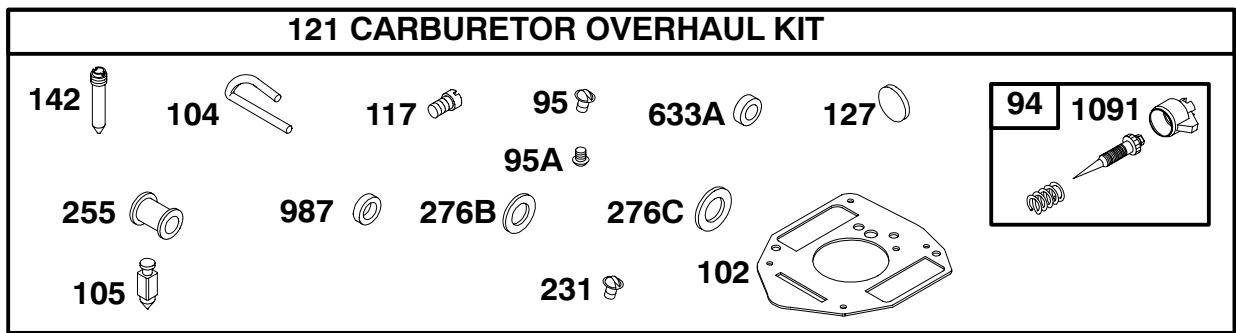


REF. NO.	PART NO.	DESCRIPTION	REF. NO.	PART NO.	DESCRIPTION	REF. NO.	PART NO.	DESCRIPTION
3	★805101	Oil Seal (Magneto Side)	20	★805049	Oil Seal (PTO Side)	524	★693172	Dipstick Tube Seal (Used After Code Date 98053100).
6	805193	Washer (Cylinder Head) (Used Before Code Date 94050100).	51	★805700	Intake Gasket	524A	★281370	Dipstick Tube Seal (Used Before Code Date 98060100).
7	★690888	Cylinder Head Gasket (Graphoil )	51A	★805023	Intake Gasket	812	805019	Nut (Rocker Cover)
		----- Note -----	163	★805655	Air Cleaner Gasket	883	★805024	Exhaust Gasket
		★805653 Cylinder Head Gasket (Metal) (Used Before Code Date 96040100).	273	★690681	O-Ring Seal (Oil Pump)	988	★805250	Oil Adapter Gasket
9	★807688	Breather Gasket	276A	★805420	Sealing Washer	1022	★806039	Rocker Cover Gasket
12	★806190	Crankcase Gasket (Used After Code Date 97043000).	358	808389	Engine Gasket Set	1095	808391	Valve Gasket Set
		----- Note -----	439	★692154	O-Ring Seal (Crankcase Cover) (Used After Code Date 97043000).			
		★805112 Crankcase Gasket (Used Before Code Date 97050100).			----- Note -----			
			468	★690690	O-Ring Seal (Oil Pump Screen)			

★ Included in Engine Gasket Set-Ref. No. 358.  
 ● Included in Carburetor Overhaul Kit-Ref. 121,121A.

Included in Valve Gasket Set-Ref. No. 1095.

# 350400 to 350499



REF. NO.	PART NO.	DESCRIPTION	REF. NO.	PART NO.	DESCRIPTION	REF. NO.	PART NO.	DESCRIPTION
94	●808399	Idle Mixture Kit (Used After Code Date 95073100).	117A	●231660	Main Jet	127	●690727	Welch Plug
94A	●808259	Idle Mixture Kit (Used Before Code Date 95080100).			----- Note ----- ●231829 Main Jet	142	●806128	Carburetor Nozzle
95	●690718	Screw (Throttle Valve)			Used on Type No(s). 0002, 0004, 0006, 0008, 0027, 0040, 0048, 0055, 0058, 0068, 0070, 0076, 0120, 0123, 0125, 0137, 0138.	147	●231783	Pilot Jet
95A	●94635	Screw (Throttle Valve)	121	808395	Carburetor Overhaul Kit (Used After Code Date 95073100).	231	●690718	Screw (Choke Valve)
102	●805541	Carburetor Body Gasket	121A	808274	Carburetor Overhaul Kit (Used Before Code Date 95080100).	231A	●94457	Screw (Choke Valve)
102A	●272460	Carburetor Body Gasket			----- Note ----- 808083 Carburetor Kit (Used Before Code Date 95010100). Used on Type No(s). 0002, 0004, 0006, 0008, 0027, 0040, 0048, 0055, 0058, 0068, 0070, 0076, 0120, 0123, 0125, 0137, 0138.	255	●690721	Choke Shaft Bushing
104	●690723	Float Hinge Pin				276B	●690724	Sealing Washer
104A	●231784	Float Hinge Pin				276C	●806137	Sealing Washer
105	●805547	Float Needle Valve				276D	●692343	Sealing Washer
105A	●807925	Float Needle Valve				633	●690722	Choke Shaft Seal
106	●	Inlet Seat (Sold In Kit Only)				633A	●808022	Choke Shaft Seal
117	●806126	Main Jet				987	●806131	Throttle Shaft Seal
						1037	●807915	Choke Locator Ball
						1091	●691516	Limiter Cap
						1091A	●806054	Limiter Cap

★ Included in Engine Gasket Set-Ref. No. 358.  
● Included in Carburetor Overhaul Kit-Ref. 121,121A.

Included in Valve Gasket Set-Ref. No. 1095.